

**Copeland Scroll™**

## Application Guidelines

Scroll Compressors for Air Conditioning  
ZR18K\* to ZR380K\*, ZP24K\* to ZP485K\*



<b>About these guidelines .....</b>	<b>1</b>
<b>1 Safety instructions .....</b>	<b>1</b>
1.1 Icon explanation .....	1
1.2 Safety statements .....	1
1.3 General instructions .....	2
<b>2 Product description .....</b>	<b>3</b>
2.1 Common information about Copeland Scroll™ compressors.....	3
2.2 Nomenclature.....	3
2.3 Application range .....	3
2.3.1 <i>Qualified refrigerants and oils</i> .....	3
2.3.2 <i>Application limits</i> .....	4
2.4 Dimensions .....	7
<b>3 Installation .....</b>	<b>8</b>
3.1 Compressor handling.....	8
3.1.1 <i>Transport and storage</i> .....	8
3.1.2 <i>Positioning and securing</i> .....	8
3.1.3 <i>Installation location</i> .....	8
3.1.4 <i>Mounting parts</i> .....	8
3.2 Brazing procedure.....	9
3.3 Shut-off valves and adaptors .....	10
3.4 Accumulators .....	10
3.5 Screens .....	11
3.6 Mufflers .....	11
3.7 Reversing valves.....	12
3.8 Suction line noise and vibration .....	12
<b>4 Electrical connection .....</b>	<b>13</b>
4.1 General recommendations.....	13
4.2 Electrical installation .....	13
4.2.1 <i>Terminal box</i> .....	17
4.2.2 <i>Motor winding</i> .....	18
4.2.3 <i>Protection devices</i> .....	18
4.2.4 <i>Crankcase heaters</i> .....	19
4.2.5 <i>Soft starters</i> .....	20
4.3 Pressure safety controls .....	20
4.3.1 <i>High-pressure control</i> .....	20
4.3.2 <i>Low-pressure control</i> .....	20
4.3.3 <i>Internal pressure relief valve</i> .....	20
4.4 Discharge temperature protection .....	20
4.4.1 <i>Internal thermo-disc</i> .....	20
4.4.2 <i>Advanced Scroll Temperature Protection (ASTP)</i> .....	20

# Copeland Scroll™

4.4.3	Temperature protection with Kriwan module.....	21
4.4.4	Temperature protection with CoreSense Communications module .....	21
4.5	Motor protection .....	21
4.5.1	Internal line break motor protection.....	21
4.5.2	External protection with Kriwan.....	21
4.5.3	CoreSense Communications module functionality .....	22
4.6	Kriwan protector functional check and failure detection .....	23
4.6.1	Checking the connection.....	23
4.6.2	Checking the compressor thermistor chain.....	23
4.6.3	Checking the protection module.....	23
4.7	High-potential testing .....	24
<b>5</b>	<b>Starting up &amp; operation.....</b>	<b>25</b>
5.1	Strength pressure test.....	25
5.2	Tightness/pressure test.....	25
5.3	Preliminary checks – Pre-starting .....	25
5.4	Charging procedure .....	25
5.5	Initial start-up .....	26
5.6	Rotation direction .....	26
5.7	Starting sound.....	26
5.8	Deep vacuum operation.....	26
5.9	Shell temperature.....	27
5.10	Pump-down cycle.....	27
5.11	Pump-out cycle .....	27
5.12	Minimum run time .....	27
5.13	Shut-off sound.....	27
5.14	Frequency .....	27
5.15	Oil level .....	28
<b>6</b>	<b>Maintenance &amp; repair .....</b>	<b>29</b>
6.1	Exchanging the refrigerant.....	29
6.2	Rotalock valves .....	29
6.3	Replacing a compressor .....	29
6.3.1	Compressor replacement.....	29
6.3.2	Start-up of a new or replacement compressor .....	29
6.4	Lubrication and oil removal .....	30
6.5	Oil additives .....	30
6.6	Unbrazing system components .....	30
<b>7</b>	<b>Dismantling &amp; disposal.....</b>	<b>31</b>
<b>DISCLAIMER</b>	<b>.....</b>	<b>31</b>

## About these guidelines

The purpose of these guidelines is to provide guidance in the application of Copeland Scroll™ compressors in users' systems. It is intended to answer the questions raised while designing, assembling and operating a system with these products.

Besides the support they provide, the instructions listed herein are also critical for the proper and safe functioning of the compressors. Emerson cannot guarantee the performance and reliability of the product if it is misused in regard of these guidelines.

These application guidelines cover stationary applications only. For mobile applications, please contact the Application Engineering department at Emerson Climate Technologies as other considerations may apply.

## 1 Safety instructions







Copeland Scroll compressors are manufactured according to the latest European and US safety standards. Particular emphasis has been placed on the user's safety.

These compressors are intended for installation in systems according to the EC Machinery Directive MD 2006/42/EC. They may be put to service only if they have been installed in these systems according to instructions and conform to the corresponding provisions of legislation. For relevant standards please refer to the Manufacturers Declaration, available on request.

These instructions should be retained throughout the lifetime of the compressor.

**You are strongly advised to follow these safety instructions.**

### 1.1 Icon explanation

	<b>WARNING</b> This icon indicates instructions to avoid personal injury and material damage.		<b>CAUTION</b> This icon indicates instructions to avoid property damage and possible personal injury.
	<b>High voltage</b> This icon indicates operations with a danger of electric shock.		<b>IMPORTANT</b> This icon indicates instructions to avoid malfunction of the compressor.
	<b>Danger of burning or frostbite</b> This icon indicates operations with a danger of burning or frostbite.	<b>NOTE</b> This word indicates a recommendation for easier operation.	
	<b>Explosion hazard</b> This icon indicates operations with a danger of explosion.		

### 1.2 Safety statements

- Refrigerant compressors must be employed only for their intended use.
- Only qualified and authorized HVAC or refrigeration personnel are permitted to install, commission and maintain this equipment.
- Electrical connections must be made by qualified electrical personnel.
- All valid standards for connecting electrical and refrigeration equipment must be observed.
- The national legislation and regulations regarding personnel protection must be observed.



**Use personal safety equipment.** Safety goggles, gloves, protective clothing, safety boots and hard hats should be worn where necessary.

## 1.3 General instructions



### WARNING

**System breakdown! Personal injuries!** Never install a system in the field and leave it unattended when it has no charge, a holding charge, or with the service valves closed without electrically locking out the system.

**System breakdown! Personal injuries!** Only approved refrigerants and refrigeration oils must be used.



### WARNING

**High shell temperature! Burning!** Do not touch the compressor until it has cooled down. Ensure that other materials in the area of the compressor do not get in touch with it. Lock and mark accessible sections.



### CAUTION

**Overheating! Bearing damage!** Do not operate compressors without refrigerant charge or without being connected to the system.



### CAUTION

**Contact with POE! Material damage!** POE lubricant must be handled carefully and the proper protective equipment (gloves, eye protection, etc.) must be used at all times. POE must not come into contact with any surface or material that it might damage, including without limitation, certain polymers, eg, PVC/CPVC and polycarbonate.



### IMPORTANT

**Transit damage! Compressor malfunction!** Use original packaging. Avoid collisions and tilting.

## 2 Product description

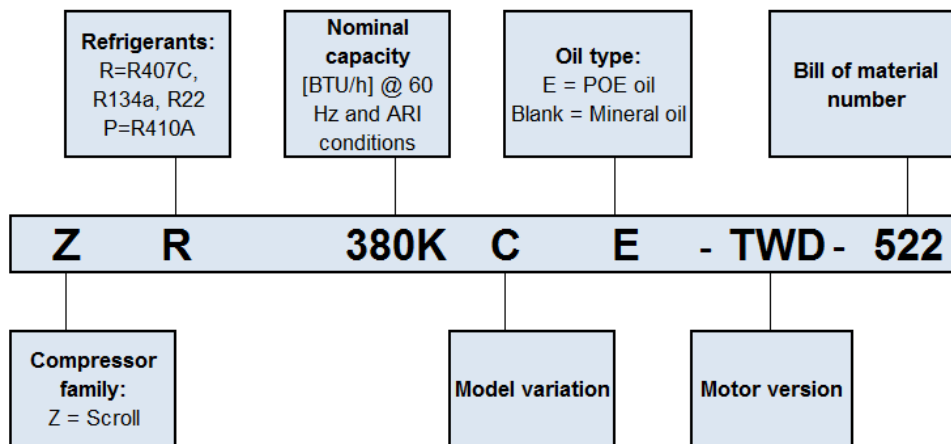
### 2.1 Common information about Copeland Scroll™ compressors

The Scroll compressor has been under development at Emerson Climate Technologies since 1979. It is the most efficient and durable compressor Emerson Climate Technologies has ever developed for air conditioning and refrigeration.

**These application guidelines deal with all vertical single Copeland Scroll compressors for air conditioning and heat pump applications, from ZR18K\* to ZR380K\* and from ZP24K\* to ZP485K\*.** These compressors have one Scroll compression set driven by a single or three-phase induction motor. The Scroll set is mounted at the upper end of the rotor shaft of the motor. The rotor shaft axis is in the vertical plane.

### 2.2 Nomenclature

The model designation contains the following technical information about the compressor:



#### \*ARI conditions:

Evaporating temperature ..... 7.2°C	Liquid sub-cooling ..... 8.3K
Condensing temperature ..... 54.4°C	Ambient temperature ..... 35°C
Suction gas superheat ..... 11K	

### 2.3 Application range

#### 2.3.1 Qualified refrigerants and oils



#### WARNING

**Use of R450A and R513A refrigerants! Risk of compressor damage!**

Refrigerant migration of R450A or R513A into the compressor crankcase could cause low oil viscosity, which could lead to compressor damage. When using R450A and R513A it is critical to meet the following requirements:

- maintain adequate superheat settings with a minimum superheat of 8-10K;
- no liquid refrigerant migration into the compressor at any time, especially during standstill, during or after defrost, or after reverse mode for example in heat pumps;
- pumpdown is recommended;
- the use of a crankcase heater is mandatory;
- retrofit to R450A and R513A is only allowed for compressors which are approved for these refrigerants.

Contact Application Engineering for any further information.



#### IMPORTANT

It is essential that the glide of refrigerant blends (primarily R407C) be carefully considered when adjusting pressure and superheat controls.

# Copeland Scroll™

Oil recharge values can be taken from Copeland Scroll compressors brochures or Copeland™ brand products Selection Software.

Qualified refrigerants	R22	R407C, R134a, R22 R450A, R513A	R410A
Copeland brand products standard oils	White oil Suniso 3 GS	Emkarate RL 32 3MAF	
Servicing oils	Suniso 3 GS White oil	Emkarate RL 32 3MAF	
		Mobil EAL Arctic 22 CC	Mobil EAL Arctic 22 CC (max 50% of total oil charge)

Table 1: Qualified refrigerants and oils

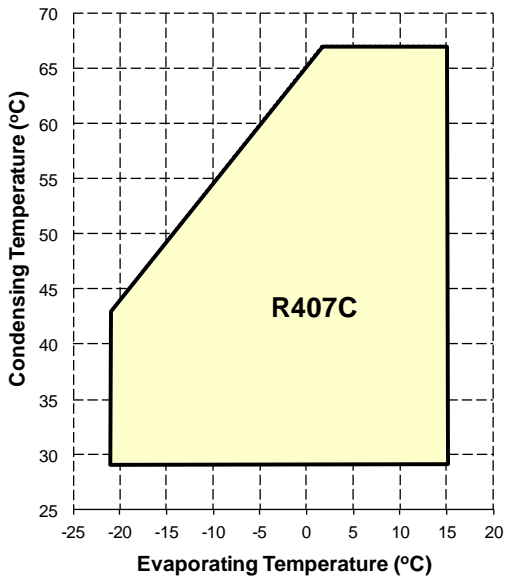
## 2.3.2 Application limits



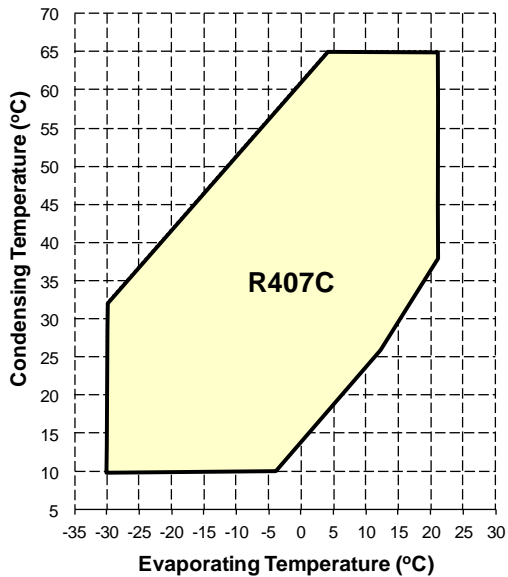
### CAUTION

**Inadequate lubrication! Compressor breakdown!** The superheat at the compressor suction inlet must always be sufficient to ensure that no refrigerant droplets enter the compressor. For a typical evaporator-expansion valve configuration a minimum stable superheat of at least 5K is required.

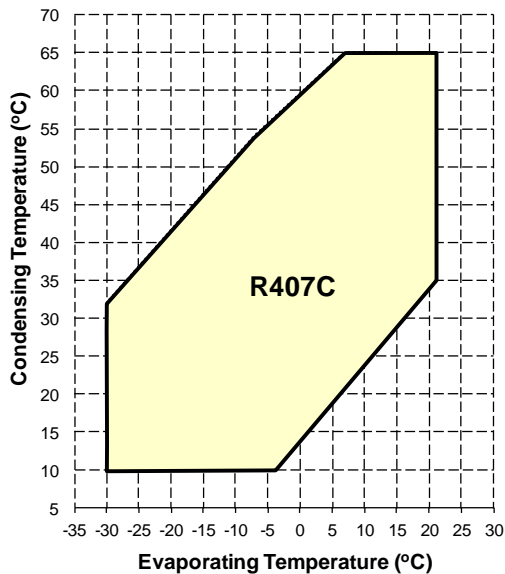
ZR18K5E to ZR48K3E  
ZR61KSE  
ZR72KCE to ZR81KCE



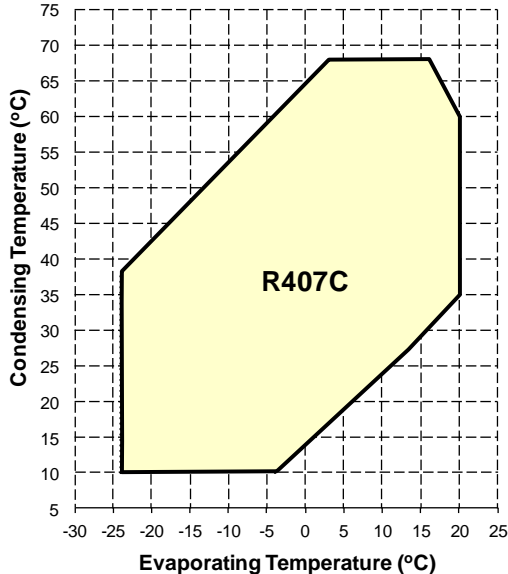
ZR94KCE to ZR190KCE(\*)



ZR144KCE



ZR250KCE to ZR380KCE

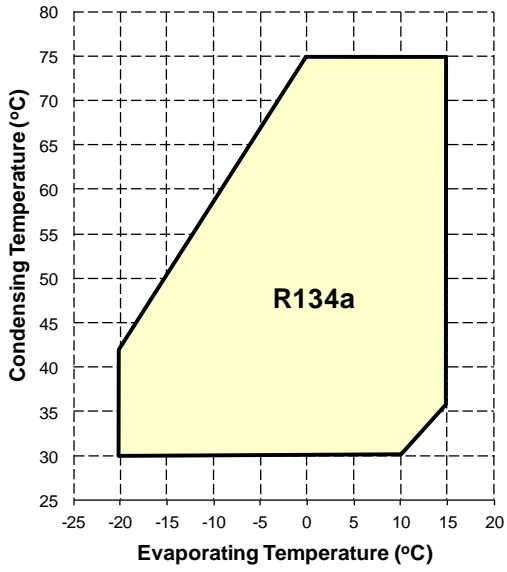


10K Suction Superheat

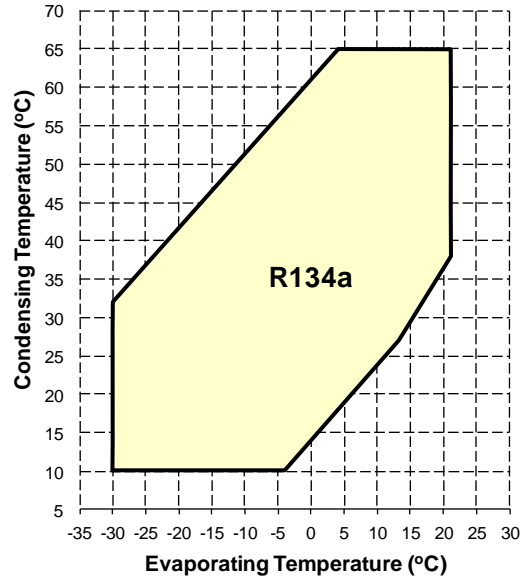
(\*) Except for ZR144KCE

Figure 1: Application envelopes for compressors ZR18K5E to ZR380KCE with R407C

ZR22K3E to ZR48K3E  
ZR61KCE to ZR81KCE



ZR94KCE to ZR190KCE



ZR250KCE to ZR380KCE

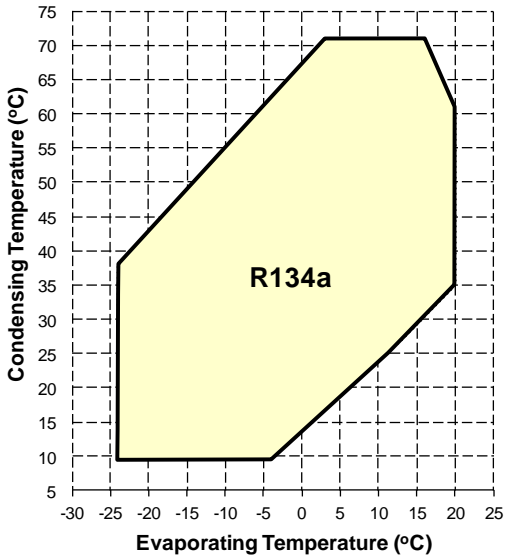


Figure 2: Application envelopes for compressors ZR22K3E to ZR380KCE with R134a

Safety instructions

Product description

Installation

Electrical connection

Starting up & operation

Maintenance & repair

Dismantling & disposal



# Copeland Scroll™

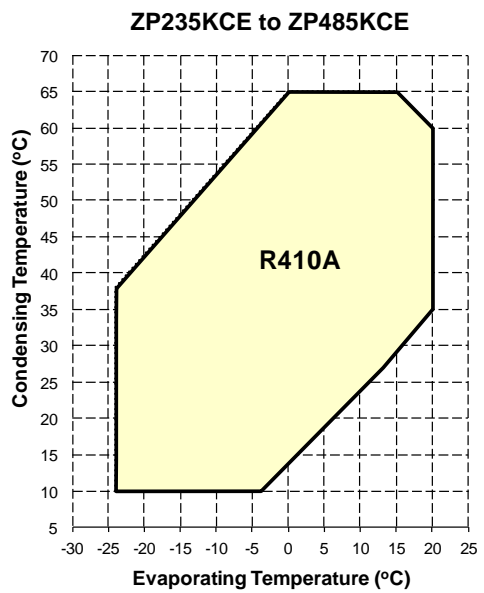
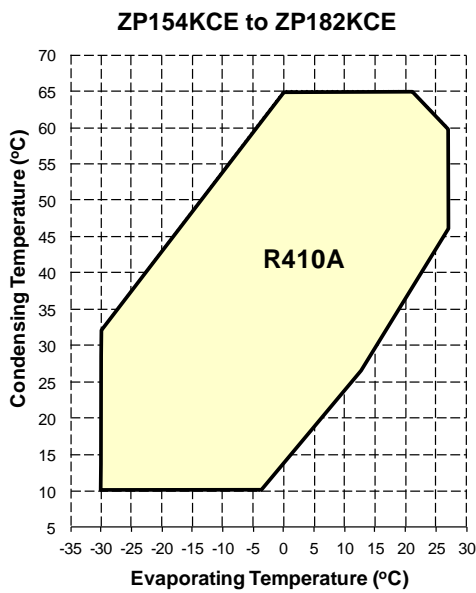
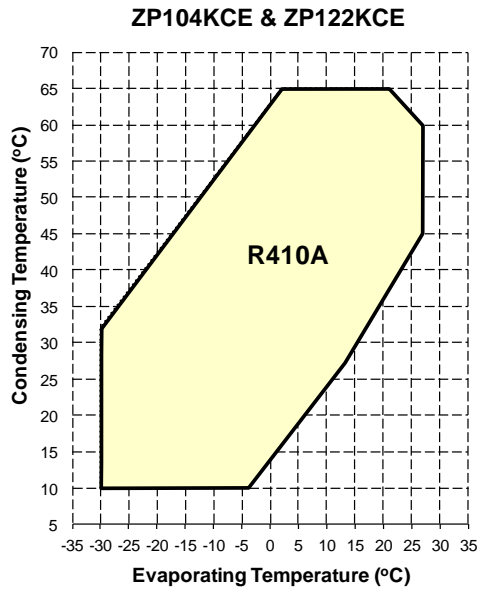
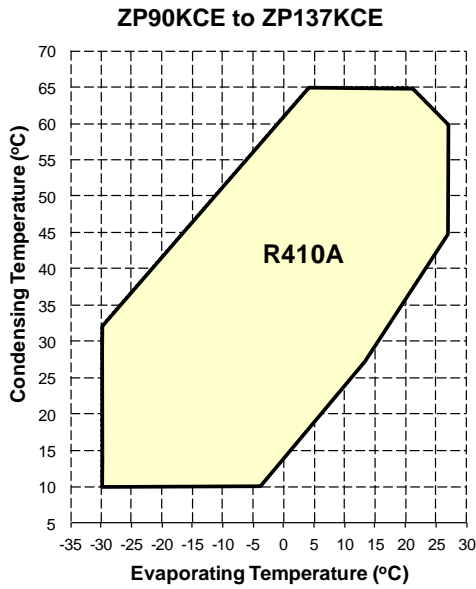
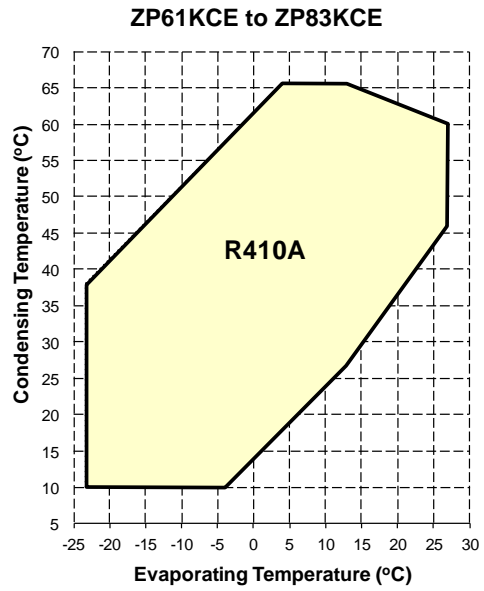
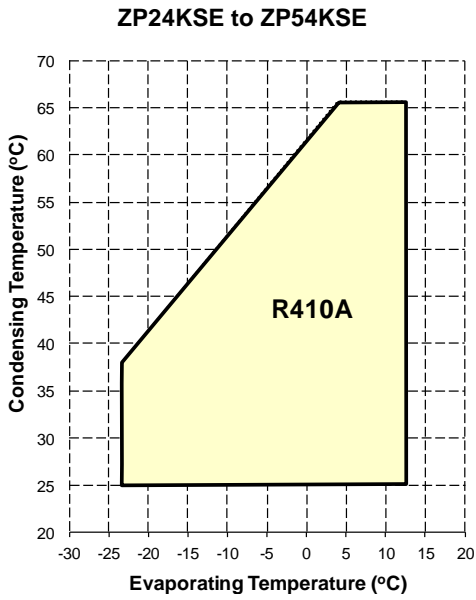


Figure 3: Application envelopes for compressors ZP24KSE to ZP485KCE with R410A

**NOTE:** For application envelopes with R22, please refer to Copeland brand products Selection Software.

## 2.4 Dimensions

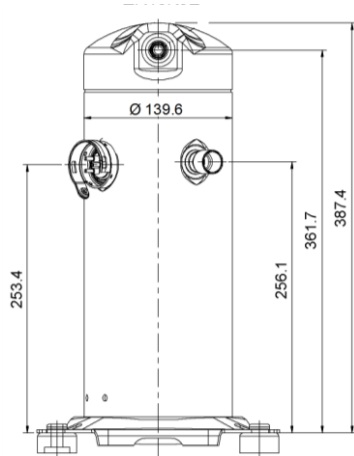


Figure 4: ZR18K5E dimensions

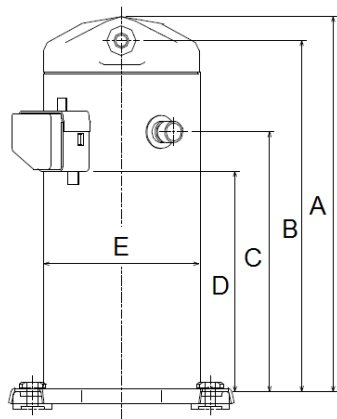


Figure 5: Drawing A

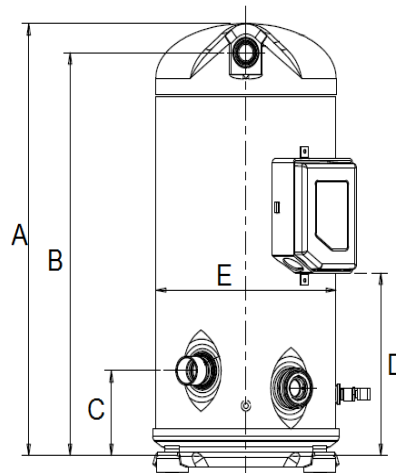


Figure 6: Drawing B

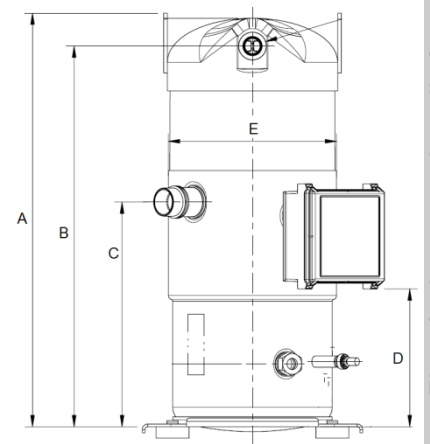


Figure 7: Drawing C

Compressor model	Drawing	A ±3	B	C ±3	D ±3	E
ZR22K3E, ZR28K3E	A (Fig. 5)	363	338.4	244.6	202.4	Ø165.5
ZR34K3E		386.5	361	264.5	222.3	Ø165.5
ZR40K3E		400.3	374.8	277.3	235.1	Ø165.5
ZR48K3E		417	391.7	294.2	252	Ø165.5
ZR54KSE, ZR57KSE, ZR61KSE		414.2-420.2	388.6-394.6	280.5-286.5	238.9-244.9	Ø165.3
ZR61KCE, ZR72KCE		437.9	409.8	296.9	233.4	Ø184.8
ZR81KCE		440.4 - 446.4	413.9	296.9	230.4-236.4	Ø184.8
ZP36KSE, ZP42KSE		415.2-421.2	389.6-395.6	292.1-298.1	250.5-256.5	Ø167.1
ZP54KSE					221.4-227.4	
ZP61KCE, ZP72KCE, ZP83KCE		443.2	410.8	297.9	231.4-237.4	Ø185.5
ZP91KCE		440.6-446.2				
ZP104KCE, ZP122KCE		558.9	526.5	370;2	284.7	Ø185.5
ZR94KCE, ZR90KCE		B (Fig. 6)	476.3	444.3	93.6	201.5
ZR108KCE, ZR144KCE, ZR125KCE	533.1		501.2	122.4	242.8	Ø232.2
ZP103KCE, ZP120KCE, ZP137KCE						
ZR160KCE, ZR190KCE	551.5		519.5	140.5	181(TW)	Ø232.2
ZP154KCE, ZP182KCE					261.2(TF)	
ZP236KCE, ZP296KCE	C (Fig. 7)	691	635.9	375.3	230.2	Ø280.6
ZR250KCE, ZP235KCE		717.1	667.1	333.5	277	Ø289
ZR310K3E,		715.1	659.7	375.3	273.3	Ø331
ZP380K3E, ZP295KCE, ZP385KCE						
ZP485KCE		746.1	690.7	406.3	304.1	Ø331

Table 2: Compressor dimensions and corresponding drawings

## 3 Installation



### WARNING

**High pressure! Injury to skin and eyes possible!** Be careful when opening connections on a pressurized item.

### 3.1 Compressor handling

#### 3.1.1 Transport and storage



### WARNING

**Risk of collapse! Personal injuries!** Move compressors only with appropriate mechanical or handling equipment according to weight. Keep in the upright position. Stack pallets on top of each other when not exceeding 300 kg. Do not stack single boxes on top of each other. Keep the packaging dry at all times.

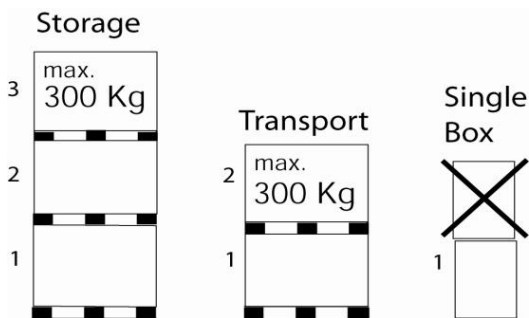


Figure 8: Transport and storage

#### 3.1.2 Positioning and securing



### IMPORTANT

**Handling damage! Compressor malfunction!** Only use the lifting eyes whenever the compressor requires positioning. Using discharge or suction connections for lifting may cause damage or leaks.

For models ZR94K\* to ZR190K\* and ZP103K\* to ZP182K\*, because oil might spill out of the suction connection located low on the shell, the suction connection plug must be left in place until the compressor is set into the unit. If possible, the compressor should be kept vertical during handling. The discharge connection plug should be removed first before pulling the suction connection plug to allow the dry air pressure inside the compressor to escape. Pulling the plugs in this sequence prevents oil mist from coating the suction tube making brazing difficult. The copper coated steel suction tube should be cleaned before brazing. No object, eg, a swaging tool should be inserted deeper than 51 mm into the suction tube or it might damage the suction screen and motor.

#### 3.1.3 Installation location

Ensure the compressors are installed on a solid level base.

#### 3.1.4 Mounting parts

Four vibration absorber grommets are supplied with each compressor. They dampen the start-up surge of the compressor and minimise sound and vibration transmission to the compressor base during operation. The metal sleeve inside is a guide designed to hold the grommet in place. It is not designed as a load-bearing member, and application of excessive torque to the bolts can crush the sleeve. Its inner diameter is approximately 8.5 mm to fit, eg, an M8 screw. The mounting torque should be  $13 \pm 1$  Nm. It is critically important that the grommet is not compressed.

If the compressors are mounted in tandem or used in parallel, then the hard mountings (bolt M9 5/16") are recommended. The mounting torque should be  $27 \pm 1$  Nm. It is possible to deliver these hard mounting parts as a kit, or on request to deliver the compressor with these parts instead of the rubber grommets.

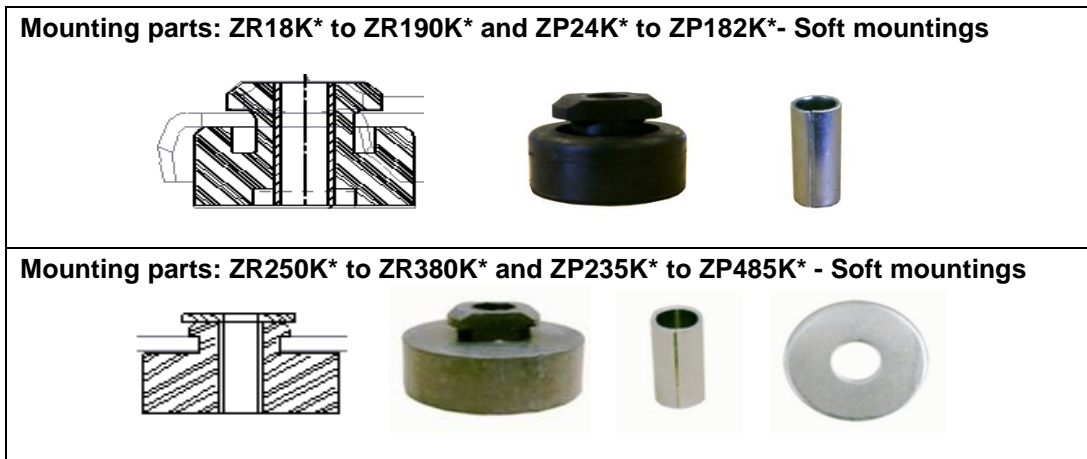


Figure 9: Mounting parts with sleeve and washer

## 3.2 Brazing procedure

### IMPORTANT



**Blockage! Compressor breakdown!** Maintain a flow of oxygen-free nitrogen through the system at very low pressure during brazing. Nitrogen displaces the air and prevents the formation of copper oxides in the system. If allowed to form, the copper oxide material can later be swept through the system and block screens such as those protecting capillary tubes, thermal expansion valves, and accumulator oil return holes.

**Contamination or moisture! Bearing failure!** Do not remove the plugs until the compressor is set into the unit. This minimises any entry of contaminants and moisture.

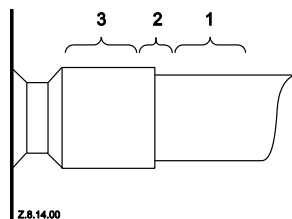


Figure 10: Suction tube brazing

Copeland Scroll compressors have copper-plated steel suction and discharge tubes. These tubes are far more robust and less prone to leaks than copper tubes. Due to the different thermal properties of steel and copper, brazing procedures may have to be changed from those commonly used.

**Figure 10** shows the proper procedures for brazing the suction and discharge lines to a scroll compressor.

- The copper-coated steel tubes on scroll compressors can be brazed in approximately the same manner as any copper tube.
- Recommended brazing materials: any silfos material is recommended, preferably with a minimum of 5% silver. However, 0% silver is acceptable.
- Be sure tube fitting inner diameter and tube outer diameter are clean prior to assembly.
- Using a double-tipped torch, apply heat in area 1.
- As the tube approaches brazing temperature, move the torch flame to area 2.
- Heat area 2 until braze temperature is attained, moving the torch up and down and rotating around the tube as necessary to heat the tube evenly. Add braze material to the joint while moving the torch around the joint to flow braze material around the circumference.
- After the braze material flows around the joint, move the torch to heat area 3. This will draw the braze material down into the joint. The time spent heating area 3 should be minimal.
- As with any brazed joint, overheating may be detrimental to the final result.

#### To disconnect:

- Heat joint areas 2 and 3 slowly and uniformly until the braze material softens and the tube can be pulled out of the fitting.

#### To reconnect:

- Recommended brazing materials: Silfos with minimum 5% silver or silver braze used on other compressors. Due to the different thermal properties of steel and copper, brazing procedures may have to be changed from those commonly used.

**NOTE:** Since the discharge stub contains a check valve, care must be taken not to overheat it to prevent brazing material from flowing into it.

# Copeland Scroll™

## 3.3 Shut-off valves and adaptors



### CAUTION

**Leaking system! System breakdown!** It is strongly recommended to periodically re-torque all pipe and fixing connections to the original setting after the system has been put into operation.

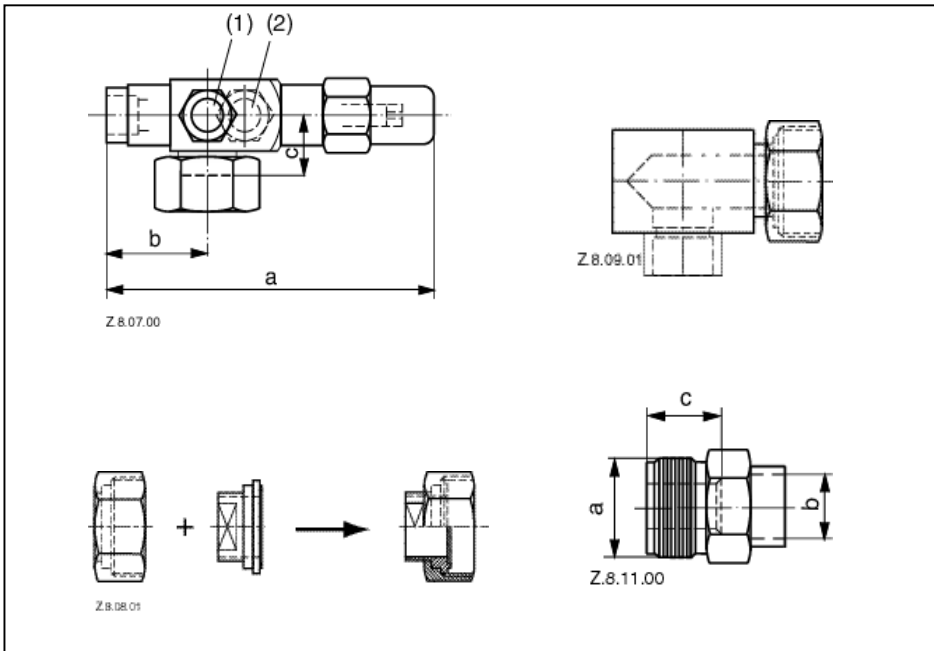


Figure 11: Shut-off valves

Copeland Scroll compressors are delivered with a discharge check valve fitted inside the discharge port and rubber plugs fitted to the suction and discharge ports as standard. There are options to fit either Rotalock valves, or Rotalock adaptors or just make brazing connections.

Braze connections can be converted to Rotalock by means of adaptors. Rotalock shut-off valves are available for the suction as well as discharge sides. Using either straight or angled adaptors provides a way to convert a Rotalock into a brazing connection.

Refer to **Table 3** for proper tightening torques:

Connection	Torque [Nm]
M10	45 - 55
Rotalock ¾"	40 - 50
Rotalock 1 ¼"	120 - 130
Rotalock 1 ¾"	170 - 180
Rotalock 2 ¼"	190 - 200
Sight glass external 1 ¾"	170 - 180
Sight glass fitting TPTL	34 - 41
Mounting bolts 5/16", M9	27 max
Terminal block screw	2.8

Table 3

**NOTE:** More information about adaptors and shut-off valves can be found in the "Spare parts list".

## 3.4 Accumulators



### CAUTION

**Inadequate lubrication! Bearing destruction!** Minimise liquid refrigerant returning to the compressor. Too much refrigerant dilutes the oil. Liquid refrigerant can wash the oil off the bearings leading to overheating and bearing failure. For R450A and R513A refrigerants Emerson Climate Technologies recommends to use suction accumulators, unless it has been qualified that an accumulator is not needed – see procedure below.

Due to Copeland Scroll compressors inherent ability to handle liquid refrigerant in flooded start and defrost cycle operation, an accumulator is not required for durability in most systems. However, large volumes of liquid refrigerant repeatedly flooding back to the compressor during normal off cycles, or excessive liquid refrigerant flooding back during defrost or varying loads, can dilute the oil, no matter what the system charge is. As a result, bearings will be inadequately lubricated and wear may occur.

To determine if the accumulator can be removed, dedicated tests must be carried out to ensure that excessive liquid does not flood back to the compressor during defrost or varying loads. The defrost test must be done at an outdoor ambient temperature of around 0°C in a high humidity environment. Liquid floodback must be monitored during reversing valve operation, especially when coming out of defrost. Excessive floodback occurs when the sump temperature drops below the safe operation line shown in **Figure 12** for more than 10 seconds.

If an accumulator must be used, the oil-return orifice should be from 1 to 1.4 mm in diameter for models ZR18K\* to ZR81K\* and ZP24K\* to ZP91K\*, and 2.0 mm for models ZR94K\* to ZR380K\* and ZP103K\* to ZP485K\*, depending on compressor size and compressor flood back results. A large-area protective screen no finer than 30 x 30 mesh (0.6 mm openings) is required to protect this small orifice from plugging with system debris. Tests have shown that a small screen with a fine mesh can easily become plugged causing oil starvation to the compressor bearings.

The size of the accumulator depends upon the operating range of the system and the amount of subcooling and subsequent head pressure allowed by the refrigerant control. System modelling indicates that heat pumps that operate down to and below -18°C will require an accumulator that can hold around 70% to 75% of the system charge.

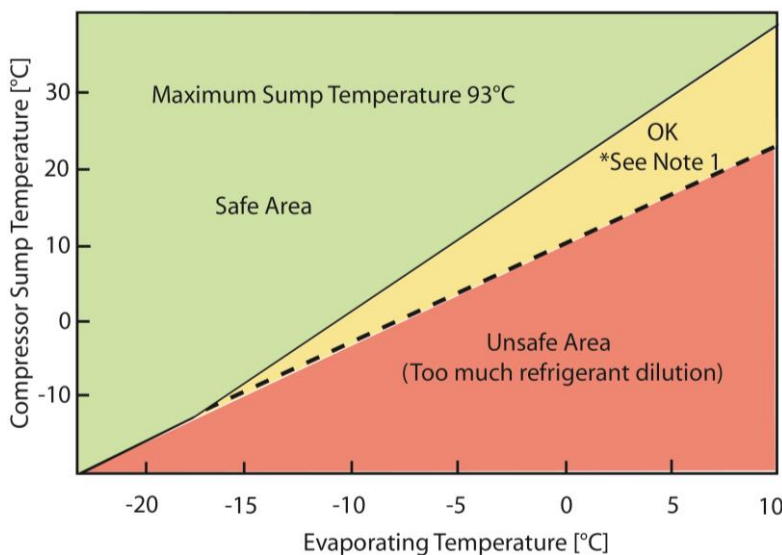


Figure 12: Dilution chart for transient operation (tb = bottom shell temperature; te = evaporating temperature)

### 3.5 Screens



#### CAUTION

**Screen blocking! Compressor breakdown!** Use screens with at least 0.6 mm openings.

The use of screens finer than 30 x 30 mesh (0.6 mm openings) anywhere in the system should be avoided with these compressors. Field experience has shown that finer mesh screens used to protect thermal expansion valves, capillary tubes or accumulators can become temporarily or permanently plugged with normal system debris and block the flow of either oil or refrigerant to the compressor. Such blockage can result in compressor failure.

### 3.6 Mufflers

External mufflers, normally applied to piston compressors in the past, may not be required for Copeland Scroll compressors.

Individual system tests should be performed to verify acceptability of sound performance. If adequate attenuation is not achieved, use a muffler with a larger cross-sectional area to inlet area ratio. A ratio of 20:1 to 30:1 is recommended.

# Copeland Scroll™

A hollow shell muffler will work quite well. Locate the muffler at minimum 15 to maximum 45 cm from the compressor for the most effective operation. The farther the muffler is placed from the compressor within these ranges, the more effective. Choose a muffler with a length of 10 to 15 cm.

## 3.7 Reversing valves

Since Copeland Scroll compressors have a very high volumetric efficiency their displacements are lower than those of equivalent capacity reciprocating compressors. As a result, Emerson Climate Technologies recommends that the capacity rating on reversing valves be no more than 1.5 to 2 times the nominal capacity of the compressor in order to ensure proper operation of the reversing valve under all operating conditions.

The reversing valve solenoid should be wired so that the valve does not reverse when the system is shut off by the operating thermostat in the heating or cooling mode. If the valve is allowed to reverse at system shut off, suction and discharge pressures are reversed to the compressor. This results in a condition of system pressures equalising through the compressor which can cause the compressor to slowly rotate until the pressures equalise. This condition does not affect compressor durability but can cause unexpected sound after the compressor is turned off.

## 3.8 Suction line noise and vibration

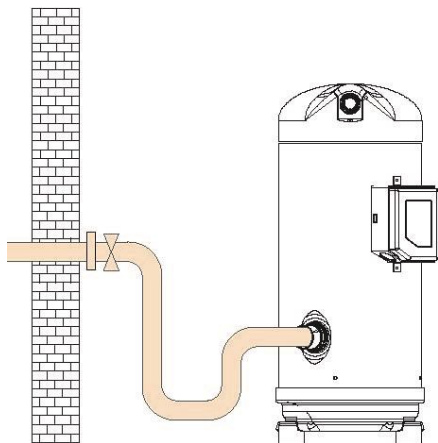


Figure 13: Suction tube design

Copeland Scroll compressors inherently have low sound and vibration characteristics. However in some respects the sound and vibration characteristics differ from reciprocating compressors and in rare instances could result in unexpected sound generation. One difference is that the vibration characteristic of the Scroll compressor, although low, includes two very close frequencies, one of which is normally isolated from the shell by the suspension of an internally-suspended compressor. These frequencies, which are present in all compressors, may result in a low-level "beat" frequency that can be detected as noise coming along the suction line into the building under some conditions. Elimination of the beat can be achieved by attenuating either of the contributing frequencies. This is easily done by using one of the common combinations of

recommended design configurations. The scroll compressor makes both a rocking and twisting motion and enough flexibility must be provided in the line to prevent vibration transmission into any lines attached to the unit. In a split system, the most important goal is to ensure minimal vibration in all directions at the service valve to avoid transmitting vibrations to the structure to which the lines are fastened.

A second difference of the Copeland Scroll is that under some conditions the normal rotational starting motion of the compressor can transmit an "impact" noise along the suction line. This may be particularly pronounced in three-phase models due to their inherently higher starting torque. This phenomenon, like the one described previously, also results from the lack of internal suspension and can be easily avoided by using standard suction line isolation techniques as described below. The sound phenomena described above are not usually associated with reversible heat pump systems because of the isolation and attenuation provided by the reversing valve and tubing bends.

### Recommended configuration

- Tubing configuration: .....small shock loop
- Service valve: ..... "angled" valve fastened to unit / wall
- Suction muffler: .....not required

### Alternative configuration

- Tubing configuration: .....small shock loop
- Service valve: ..... "straight through" valve fastened to unit / wall
- Suction muffler: .....may be required (acts as dampening mass)

## 4 Electrical connection

### 4.1 General recommendations

The compressor terminal box has a wiring diagram on the inside of its cover. Before connecting the compressor, ensure the supply voltage, the phases and the frequency match the nameplate data.

### 4.2 Electrical installation

The recommended wiring diagrams are shown in figures hereunder.

#### Single-phase (PF\*) compressors:

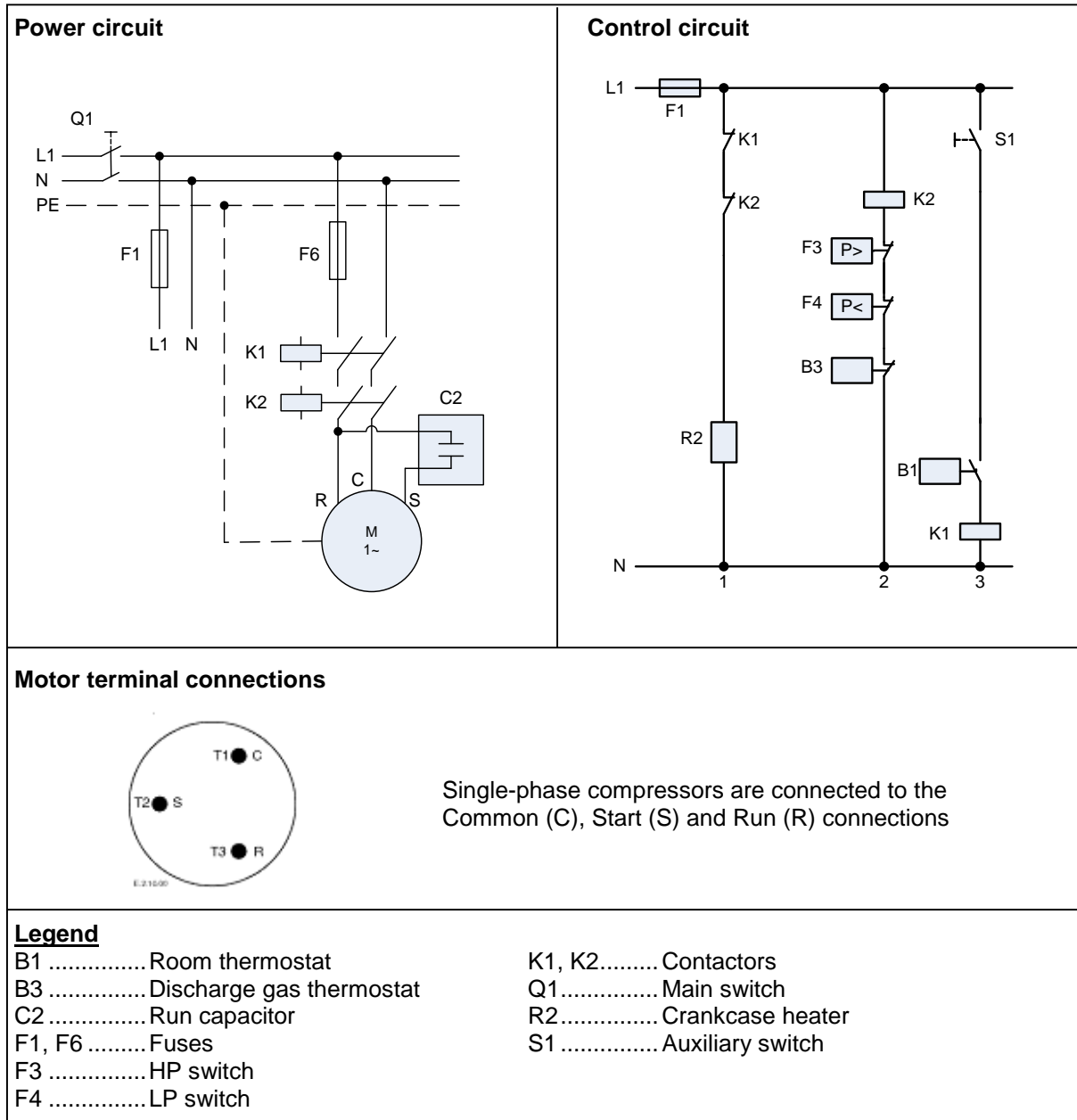


Figure 14: Wiring diagrams for single-phase compressors



## Three-phase compressors (TF\*) with internal motor protection:

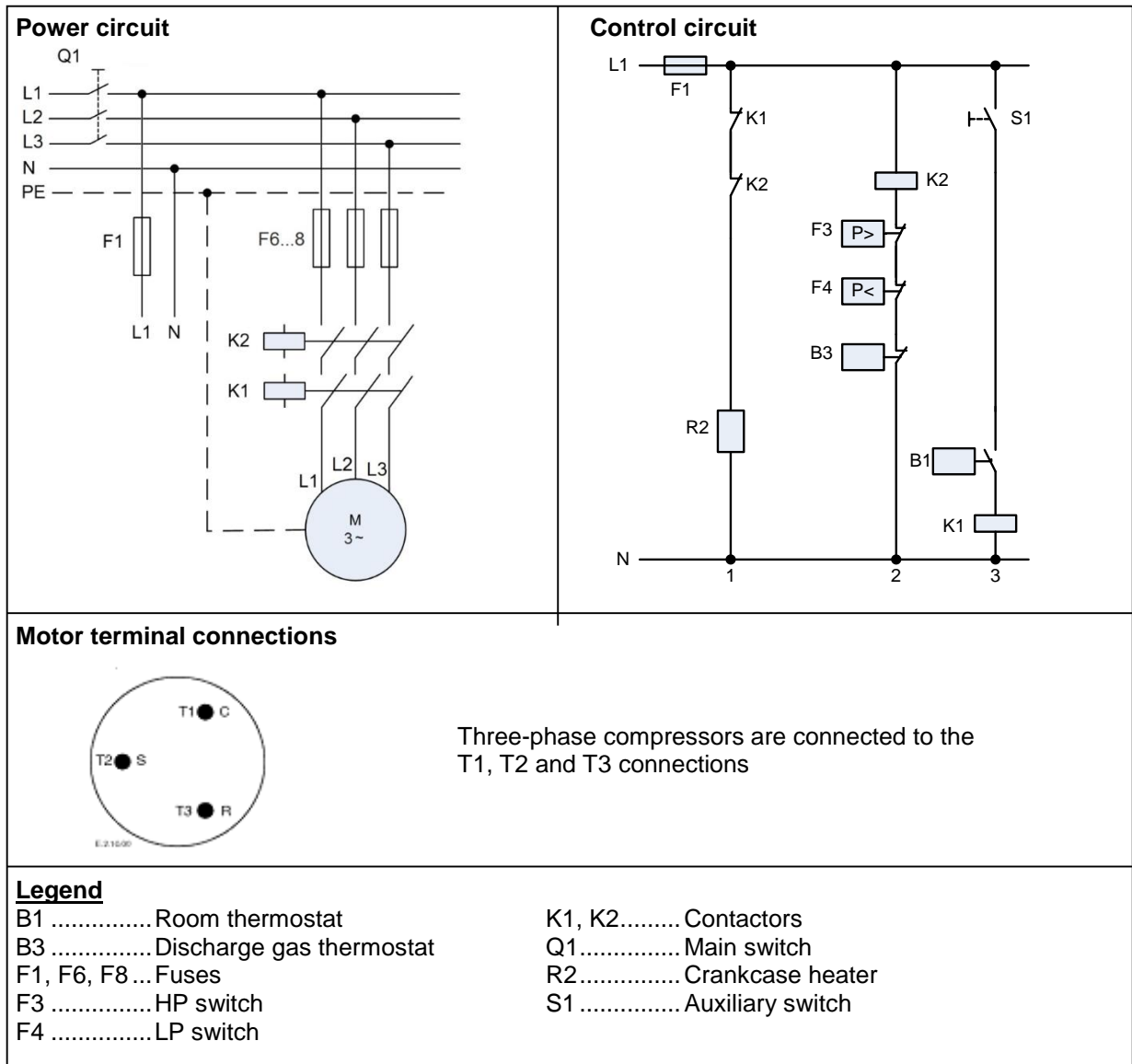


Figure 15: Wiring diagrams for three-phase compressors with internal motor protection

## Three-phase compressors (TW\*) with external motor protection INT69SC2:

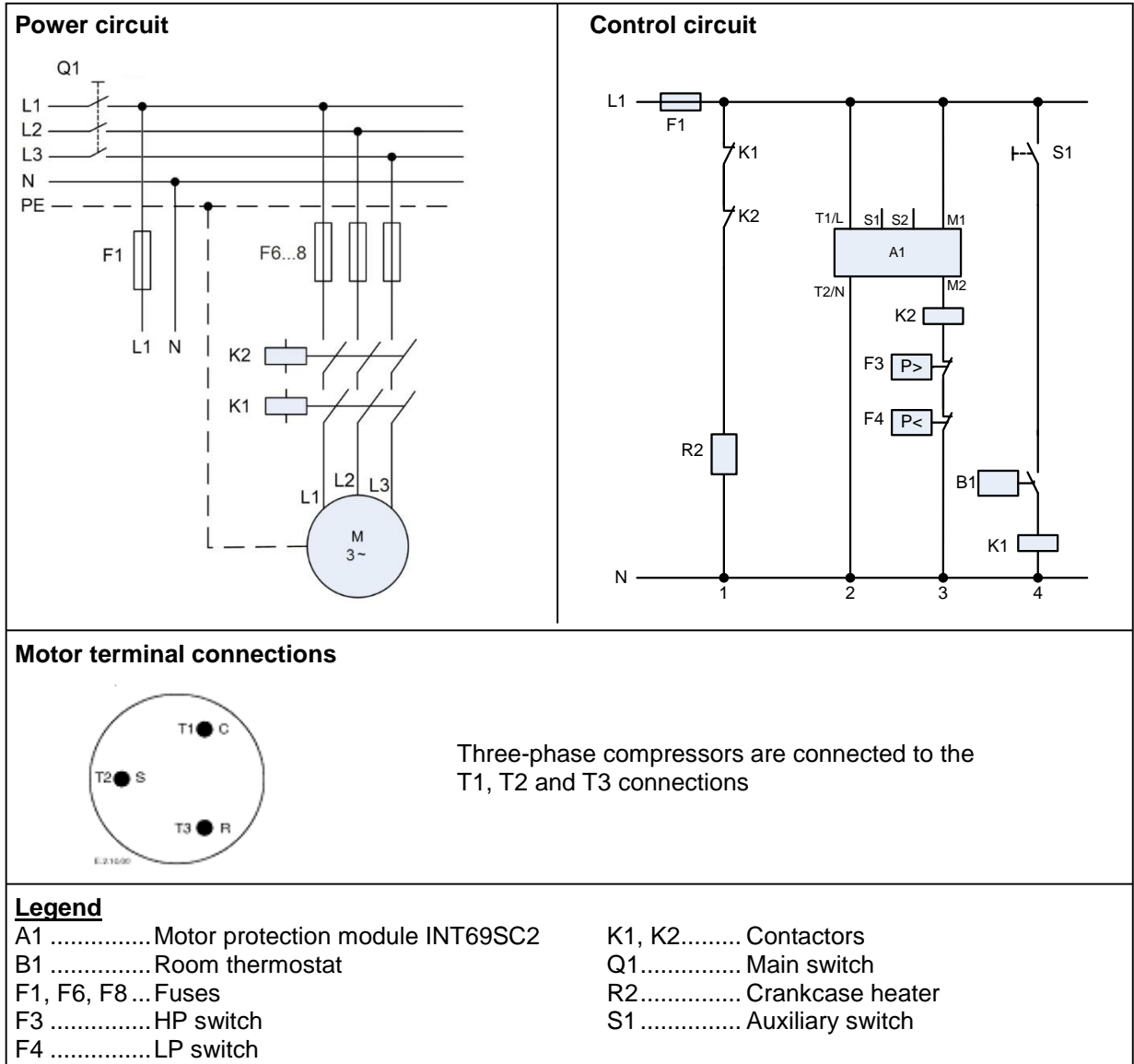


Figure 16: Wiring diagrams for three-phase compressors with Kriwan motor protection

Safety instructions

Product description

Installation

Electrical connection

Starting up & operation

Maintenance & repair

Dismantling & disposal

# Copeland Scroll™

Three-phase compressors (TE\*) with external motor protection CoreSense™  
 Communications module – compressors ZP236K\* to ZP296K\*:

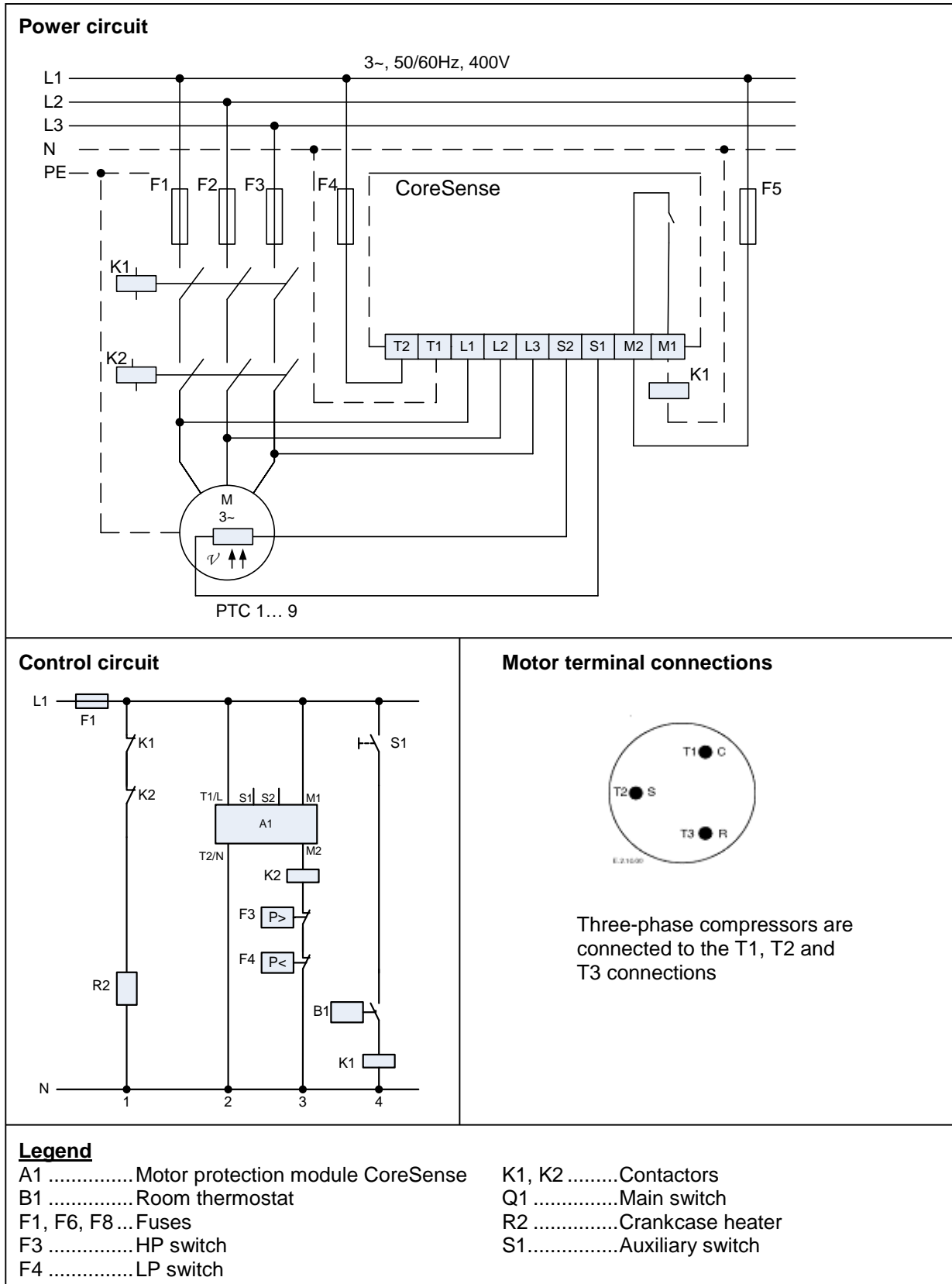


Figure 17: Wiring diagrams for three-phase compressors with CoreSense Communications module

## 4.2.1 Terminal box

The standard terminal box is IP21 for all models with internal motor protection (TF\*/PF\*) and IP54 for all models with external motor protection (TW\*), enclosure class according to IEC 60034-5. Cable glands have an influence on the protection class of the terminal box. It is strongly recommended to use appropriate cable glands in order to reach the rated protection class. We recommend that installers/service providers pay attention to this aspect and use cable glands according to EN 50262 or any other relevant standard of application in their country/region every time they install or replace a Copeland Scroll compressor. **Figures 18 to 20** show examples of correct electrical installations.



Figure 18: Terminal box IP21 and correct electrical installation with cable glands

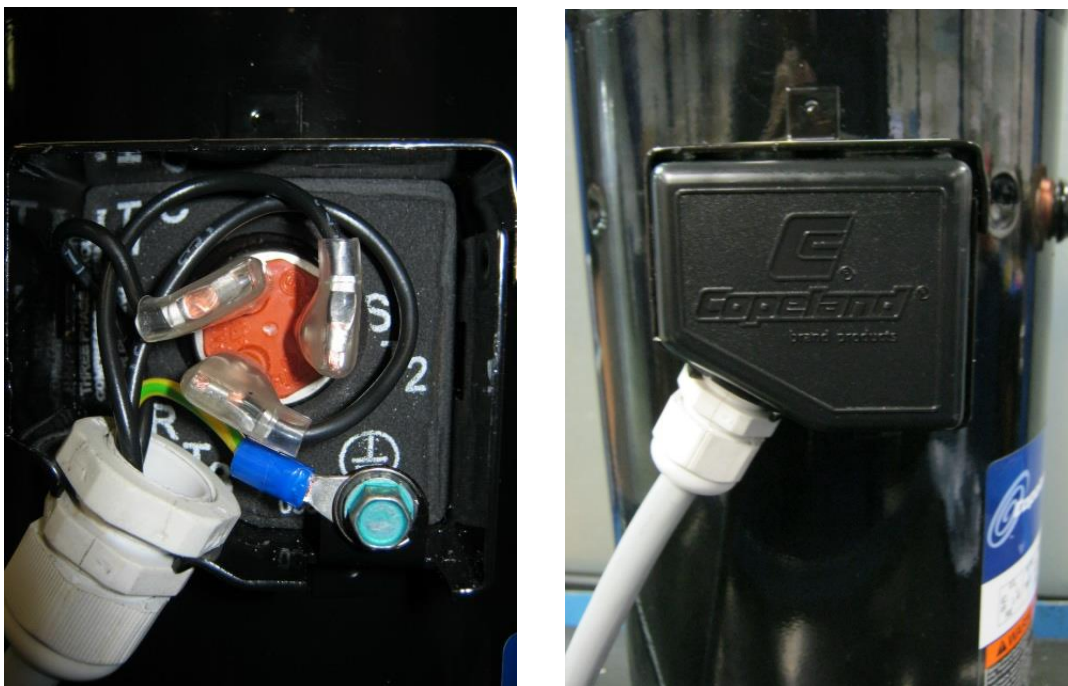


Figure 19: ZP24KSE\* terminal box IP21 and correct electrical installation with cable glands

Safety instructions

Product description

Installation

Electrical connection

Starting up & operation

Maintenance & repair

Dismantling & disposal

# Copeland Scroll™



Figure 20: Terminal box IP54 and correct electrical installation with cable glands

For compressor models ZR94KCE\* to ZR190KCE\* and ZP90KCE\* to ZP182KCE\* with BOM moulded plug examples of correct electrical installation are shown in **Figure 21**.



Figure 21: Terminal box IP66 and correct electrical installation with cable glands

## 4.2.2 Motor winding

The ZR/ZP Scroll compressors are offered either with a single-phase or a three-phase induction motor, depending on the size. All three-phase motors are connected in star; single-phase motors need a run capacitor.

The motor insulation material is class "B" (TF\*) or "H" (TW\*) for compressor models covered in these guidelines.

## 4.2.3 Protection devices

Independently from the internal motor protection, fuses must be installed before the compressor. Selection of fuses has to be carried out according to VDE 0635, DIN 57635, IEC 269-1 or EN 60-269-1.

## 4.2.4 Crankcase heaters



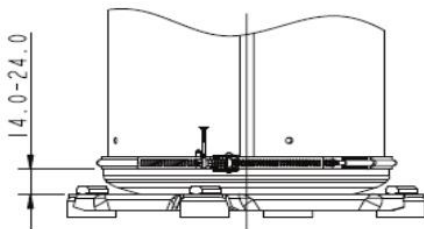
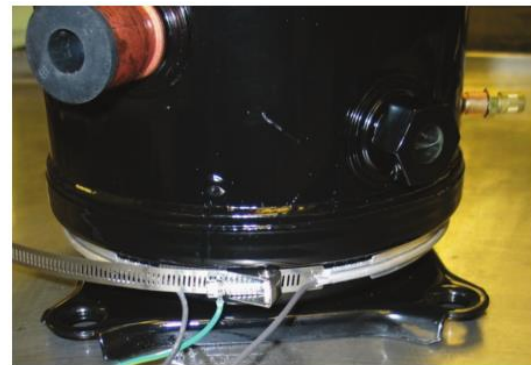
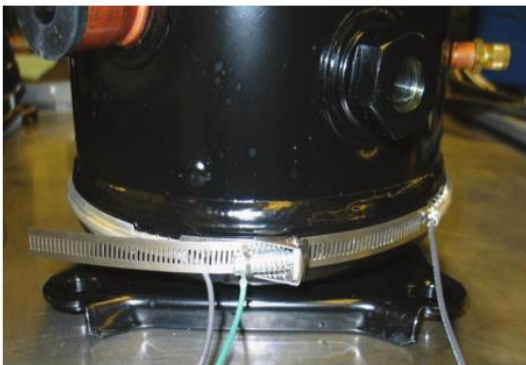
### IMPORTANT

**Oil dilution! Bearing malfunction!** Turn the crankcase heater on 12 hours before starting the compressor.

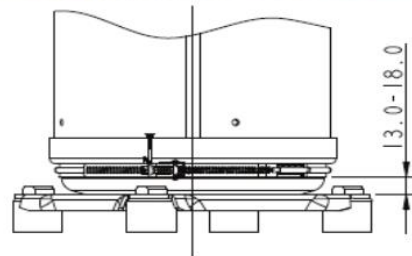
A crankcase heater is required when the system charge exceeds the compressor charge limits listed in **Table 4**.

Compressor model	Refrigerant charge limit	Crankcase heater position
ZR18K*	2.7 kg	Position A
ZR22K* to ZR81K*	4.5 kg	
ZR94K* to ZR190K*	7.0 kg	Position B
ZR250K*	11.3 kg	
ZR310K* to ZR380K*	13.6 kg	
	16.0 kg	

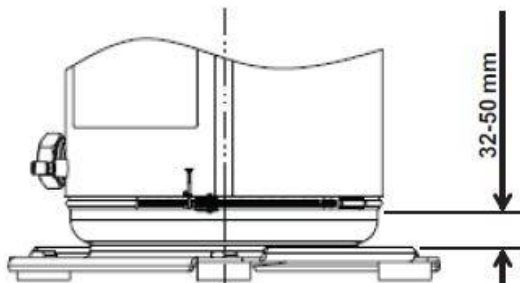
Table 4: Refrigerant charge limit & crankcase heater position



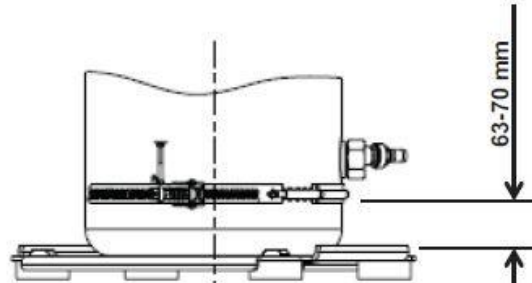
ZR84-144KC  
ZP90-137KC



ZR160-190KC  
ZP154-182KC



ZR250-380  
ZP235, 285, 385, & 485



ZP236 & ZP296

The crankcase heater must be mounted above compressor legs.

The crankcase heater must be mounted below the oil removal valve located on the bottom shell.

Figure 22: Crankcase heater position

## 4.2.5 Soft starters

Soft starters can be used with the 20 to 40 hp Copeland Scroll compressors to reduce inrush current. Soft starters should be selected in accordance with the soft starter manufacturer's recommendations, taking into consideration ambient temperature, number of starts per hour, and compressor amps. The maximum ramp-up time should not exceed 3 seconds.

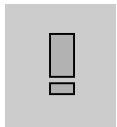
## 4.3 Pressure safety controls

### 4.3.1 High-pressure control

A high-pressure cut-out control must be used in all applications. A maximum cut-out setting of 28.8 bar(g) (ZR models) or 43 bar(g) (ZP models) respectively is recommended.

The high-pressure control should have a manual reset feature for the highest level of system protection.

### 4.3.2 Low-pressure control



#### **IMPORTANT**

**Loss of system charge and lubrication! Bearing malfunction! Compressor breakdown!** A low-pressure control is highly recommended. Do not bridge or by-pass the low-pressure cut out.

Air conditioning systems in some geographical areas have to operate at low evaporating pressure because of the low ambient temperatures, sometimes combined with a high level of relative humidity. Good evaporator sizing and adequate defrost strategy control should prevent the system from operating outside the operating envelope published by Emerson Climate Technologies, whatever the climatic conditions and the heating or cooling demand.

However, in some extreme cases – for example loss of system charge, extreme heat transfer restriction at the evaporator, any defect or blocked flow control component (expansion valve, screens...) – the evaporating conditions may be such that the compressor will tend to operate outside the Emerson operating envelope limits. All those conditions may starve the compressor in refrigerant and oil, and may result in compressor failure.

Therefore, Emerson Climate Technologies strongly recommends the installation of a low pressure limiter in the suction line that will shut down the compressor when it operates outside the published envelope limits.

### 4.3.3 Internal pressure relief valve

There is an internal pressure relief valve on all ZR18K\* to ZR81K\*, ZP24K\* to ZP83K\*, ZP91K\*, ZP104K\* and ZP122K\* compressors, which opens at a differential pressure of 28 bar ± 3 bar for ZR compressors and 40 bar ± 3 bar for ZP compressors between high- and low-pressure sides. A high-pressure cut-out may be required according to national regulations and is strongly recommended due to the capabilities of pumping to high pressures once the discharge is obstructed. The internal pressure relief valve is a safety device, not an HP switch. It is not designed for repeated operation and there is no guarantee that it will reset correctly if it does have repeated operation.

The following compressors do NOT have any internal pressure relief valve: ZR94K\* to ZR190K\* and ZP90K\* to ZP182K\* (Summit range), ZR250K\* to ZR380K\* and ZP235K\* to ZP485K\*.

## 4.4 Discharge temperature protection

### 4.4.1 Internal thermo-disc

The ZR18K\* to ZR81K\* and ZP24K\* to ZP83K\*, ZP91K\*, ZP104K\* and ZP122K\* compressors have an internal thermo-disc discharge gas temperature protection. This thermo-disc opens a gas passage from the discharge port to the suction side near the motor protector when the discharged gas reaches a critical temperature. The hot gas then causes the motor protector to trip shutting down the compressor.

### 4.4.2 Advanced Scroll Temperature Protection (ASTP)

ZR94K\* to ZR190K\*, ZP90K\* and ZP103K\* to ZP182K\* (Summit range) Scroll compressors built in October 2004 and later (04J) have the addition of the Advanced Scroll Temperature Protection (ASTP). Advanced Scroll Temperature Protection is also a temperature sensitive thermo-disc that acts to protect the compressor from discharge gas overheating. Once the discharge gas reaches a critical temperature, the ASTP feature will cause the scrolls to separate and stop

pumping although the motor continues to run. After running for some time without pumping gas, the motor protector will open.

ASTP was developed to protect the compressor, not for envelope control. When a compressor is used for heating or any application in the upper left corner of the envelope, it may lead to too much downtime and cut-offs for safety if the envelope is not properly controlled. Therefore for using the compressor in the situation described above we strongly advise installing a DLT sensor (NTC) for envelope control.

A label has been added above the terminal box to identify compressors with Advanced Scroll Temperature Protection.



Figure 23: Advanced Scroll Temperature Protection (ASTP)

**NOTE:** Depending upon the heat build-up in the compressor, it may take more than one hour for the ASTP and motor protector to reset!

#### 4.4.3 Temperature protection with Kriwan module

For compressors ZR250K\* to ZR380K\*, ZP235K\*, ZP295K\*, ZP385K\* and ZP485K\*, a thermistor (PTC) is located in the discharge port of the fixed scroll. Excessive discharge temperature will cause the electronic protector module to trip. The discharge gas thermistor is wired in series with the motor thermistor chain.

#### 4.4.4 Temperature protection with CoreSense Communications module

Compressors ZP236K\* and ZP296K\* use an NTC sensor, also located in the discharge port of the fixed scroll. Excessive discharge temperature will cause the CoreSense Communications module to trip.

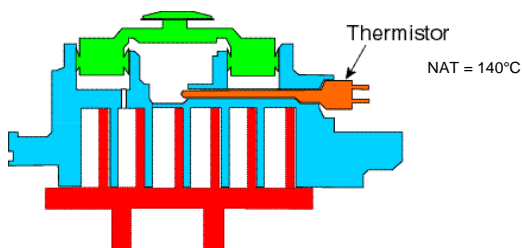


Figure 24: Internal discharge temperature sensor position

## 4.5 Motor protection

#### 4.5.1 Internal line break motor protection

For the ZR18K\* to ZR190K\* and ZP24K\* to ZP182K\* range of compressors, conventional inherent internal line break motor protection is provided.

#### 4.5.2 External protection with Kriwan

The electronic motor protection system used in all ZR250K\* to ZR380K\* and ZP235K\*, ZP295K\*, ZP385K\* and ZP485K\* models is identified by a "W" as the centre letter in the motor code. This system utilizes the temperature-dependent resistance of the thermistors (also called PTC-resistance) to read the winding temperature. A chain of four thermistors connected in series is embedded in the motor windings so that the temperature of the thermistors can follow the



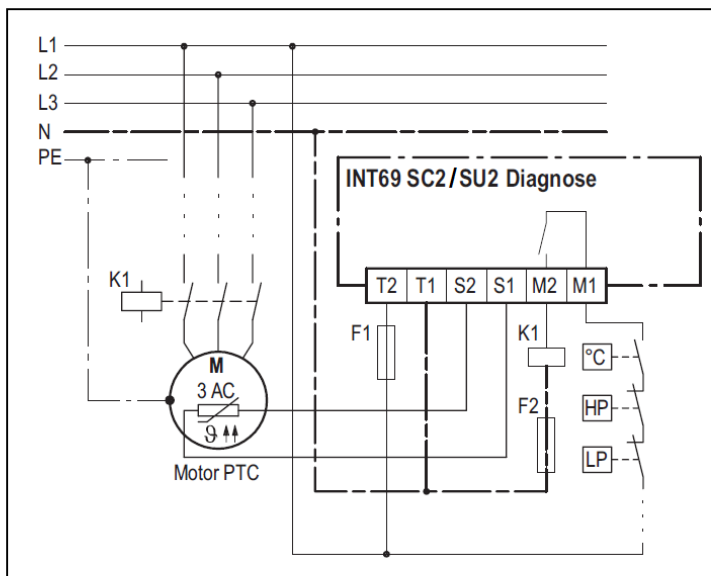
# Copeland Scroll™

winding temperature with little inertia. An electronic module is required to process the resistance values and trip a control depending on the thermistor resistance.

## Kriwan module

For protection in case of blocked rotor one thermistor for each phase is embedded in the winding heads on the upper (suction gas) side of the compressor motor. A fourth thermistor is located in a winding head at the lower end of the motor. A fifth sensor is located in the discharge port of the fixed scroll to control discharge-gas superheat. The entire chain is internally led to the fusite from where it is connected to the module connections S1 and S2. When any resistance of the thermistor chain reaches the tripping value, the module interrupts the control line and causes the compressor to switch off. After the thermistor has cooled sufficiently, its resistance drops to the reset value but the module itself resets after a time delay of 30 minutes and restarts the compressor.

## Control circuit wiring



L1/T1 neutral connection  
L2/T2 line voltage connection  
S1, S2 thermistor chain connection  
M1, M2 control circuit connection

Figure 25: Wiring of the motor protection module



### IMPORTANT

**Different source for power supply and contact M1-M2! Module malfunction!** Use the same potential for power supply and the switch contact of the control loop (M1-M2).

Supply voltage: Dual voltage	115-230V AC 50 Hz, -15%...+10%, 3VA
	120-240V AC 60 Hz, -15%...+10%, 3VA
Supply voltage	24V AC 50/60 Hz, -15%...+10%, 3VA
	24V DC $\pm$ 20%, 2W
Ambient temperature range	-30...+70°C
R <sub>25</sub> , total	< 1,8kΩ
Trip resistance	4.50kΩ $\pm$ 20%
Reset time delay type 1 / type 2	30 min $\pm$ 5 min / 60 min $\pm$ 5 min
Reset of running time	Power interruption / mains failure for approx. 5 sec
Short circuit monitoring system	Typically < 30Ω
Protection class according to EN 60529	IP00
Weight	Approximately 200 g
Mounting	Screw in or snap in
Housing material	PA66 GF25 FR

Table 5: Protection module specifications INT69SC2

### 4.5.3 CoreSense Communications module functionality

Compressor models ZP236K\* and ZP296K\* are equipped with a CoreSense Communications module fitted in the terminal box.

#### Features:

- Motor protection – (PTC)
- Scroll temperature protection – (NTC)
- Missing phase protection

- Reverse phase protection
- Low voltage protection
- Short cycling protection
- Fault history / logging
- Communication to system controller (RS485 Modbus)

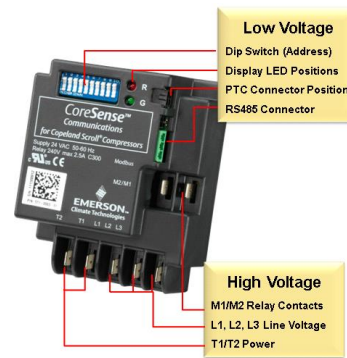


Fig: 22 CoreSense Communications module

**NOTE:** For more information please refer to Technical Information C070809 "CoreSense™ Communications module for Scroll compressors".

## 4.6 Kriwan protector functional check and failure detection



### WARNING

**Conductor cables! Electrical shock!** Shut off power supply before and between each test.

Prior to start-up of the fully connected compressor a functional check shall be carried out:

- Disconnect one terminal either S1 or S2 of the protection module. If the compressor is now switched on, the motor should not start (simulation of an open thermistor chain).
- Reconnect the disconnected thermistor line. If the compressor is now switched on, the motor must start.

If the motor does not start up during the functional check, this indicates a disturbance in operation. The following steps should be followed:

### 4.6.1 Checking the connection

- Check the connection of the thermistor leads in the terminal box and at the protection module for possible loose connections or cable breakage.

If there is neither loose connection nor cable breakage the resistance of the thermistor chain must be checked.

### 4.6.2 Checking the compressor thermistor chain

**Caution:** Use maximum measuring voltage of 3V!

The thermistor leads at terminals S1 and S2 of the module shall be disconnected and the resistance measured between the leads. The resistance must be between 150 Ω and 1250 Ω.

- If the thermistor chain has a higher resistance (2750 Ω or higher), the motor temperature is still too high and it must be allowed to cool. Then measure again.
- If the resistance is below 30 Ω, the compressor has to be exchanged due to shorted sensor circuit.
- An infinite value indicates an open sensor circuit and the compressor has to be replaced.

If no defect is detected in the thermistor chain the module must be checked.

### 4.6.3 Checking the protection module

The control connections at M1 and M2 have to be removed and the switching conditions must be checked by an ohmmeter or signal buzzer:

- Simulation of a short circuit in the thermistor chain (0 Ω): Bridge the already disconnected thermistor terminals S1 and S2 and switch on the voltage supply; the relay must switch on then off again after a short period; connection established then interrupted between terminals M1 and M2.
- Simulation of an open thermistor chain ( $\infty$  Ω): Remove the jumper used for the short-circuit simulation and switch on the voltage supply; the relay remains switched off; no connection between terminals M1 and M2.

If one of the above conditions is not met, the module is defective and has to be exchanged.

# Copeland Scroll™

**NOTE:** The function of the module should be tested each time the fuse in the control circuit breaks the power supply. This ensures the contacts did not stick.

## 4.7 High-potential testing



### **WARNING**

**Conductor cables! Electrical shock!** Shut off power supply before high-potential testing.



### **CAUTION**

**Internal arcing! Motor destruction!** Do not carry out high-voltage or insulation tests if the compressor housing is under vacuum.

Emerson Climate Technologies subjects all Scroll compressors to a high-voltage test after final assembly. Each motor phase winding is tested, according to EN 0530 or VDE 0530 part 1, at a differential voltage of 1000V plus twice the nominal voltage. Since high-voltage tests lead to premature ageing of the winding insulation additional tests of that nature are not recommended.

If it has to be done for any reason, a lower voltage must be used. Disconnect all electronic devices, eg, motor protection module, fan speed control, etc prior to testing.

## 5 Starting up & operation



### WARNING

**Diesel effect! Compressor destruction!** The mixture of air and oil at high temperature can lead to an explosion. Avoid operating with air.

### 5.1 Strength pressure test

The compressor has been strength-tested in the factory. It is not necessary for the customer to strength- or leak-test the compressor again although the compressor will normally be exposed to the testing made as part of system testing.

### 5.2 Tightness/pressure test



### WARNING

**High pressure! Personal injuries!** Consider personal safety requirements and refer to test pressures prior to test.



### WARNING

**System explosion! Personal injuries! DO NOT USE** other industrial gases.



### CAUTION

**System contamination! Bearing malfunction!** Use only dry nitrogen or dried air for pressure testing.

If using dry air do not include the compressor in the pressure test – isolate it first. Never add refrigerant to the test gas (as leak indicator).

### 5.3 Preliminary checks – Pre-starting

Discuss details of the installation with the installer. If possible, obtain drawings, wiring diagrams, etc. It is ideal to use a check-list but always check the following:

- Visual check of the electrics, wiring, fuses etc.
- Visual check of the plant for leaks, loose fittings such as TXV bulbs etc.
- Compressor oil level
- Calibration of HP & LP switches and any pressure actuated valves
- Check setting and operation of all safety features and protection devices
- All valves in the correct running position
- Pressure and compound gauges fitted
- Correctly charged with refrigerant
- Compressor electrical isolator location & position

### 5.4 Charging procedure



### CAUTION

**Low suction pressure operation! Compressor Damage!** Do not operate with a restricted suction. Do not operate with the low-pressure cut-out bridged. Do not operate compressor without enough system charge to maintain at least 0.5 bar suction pressure. Allowing pressure to drop below 0.5 bar for more than a few seconds may overheat scrolls and cause early drive bearing damage.

The system should be liquid-charged through the liquid-receiver shut-off valve or through a valve in the liquid line. The use of a filter drier in the charging line is highly recommended. Because R410A and R407C are blends and scrolls have discharge check valves, systems should be liquid-charged on both the high and low sides simultaneously to ensure a positive refrigerant pressure is present in the compressor before it runs. The majority of the charge should be placed in the high side of the system to prevent bearing washout during first-time start on the assembly line.

## 5.5 Initial start-up



### CAUTION

**Oil dilution! Bearing malfunction!** It is important to ensure that new compressors are not subjected to liquid abuse. Turn the crankcase heater on 12 hours before starting the compressor.



### CAUTION

**High discharge pressure operation! Compressor damage!** Do not use compressor to test opening set point of high-pressure cut-out. Bearings are susceptible to damage before they have had several hours of normal running in.

Liquid and high pressure loads could be detrimental to new bearings. It is therefore important to ensure that new compressors are not subjected to liquid abuse and high-pressure run tests. It is not good practice to use the compressor to test the high-pressure switch function on the production line. Switch function can be tested with nitrogen prior to installation and wiring can be checked by disconnecting the high-pressure switch during the run test.

## 5.6 Rotation direction

Scroll compressors, like several other types of compressors, will only compress in one rotational direction. Direction of rotation is not an issue with single-phase compressors since they will always start and run in the proper direction. Compressor models ZP236K\* and ZP296K\* have an electronic protection unit (CoreSense Communications module) that will not let the compressor operate if the phasing of the wires is incorrect. All other three-phase compressors will rotate in either direction depending upon phasing of the power. Since there is a 50-50 chance of connecting power in such a way as to cause rotation in the reverse direction, **it is important to include notices and instructions in appropriate locations on the equipment to ensure proper rotation direction when the system is installed and operated.**

Observing that suction pressure drops and discharge pressure rises when the compressor is energized allows verification of proper rotation direction. There is no negative impact on durability caused by operating three-phase Copeland Scroll compressors in the reversed direction for a short period of time (under one hour) but oil may be lost. Oil loss can be prevented during reverse rotation if the tubing is routed at least 15 cm above the compressor. After several minutes of operation in reverse, the compressor's protection system will trip due to high motor temperature. The operator will notice a lack of cooling. However, if allowed to repeatedly restart and run in reverse without correcting the situation, the compressor will be permanently damaged.

All three-phase scroll compressors are identically wired internally. Therefore, once the correct phasing is determined for a specific system or installation, connecting properly phased power leads to the identified compressor terminals will ensure proper rotation direction.

## 5.7 Starting sound

During the very brief start-up, a clicking sound is audible, resulting from initial contacting of the spirals and is normal. Due to the design of the Copeland Scroll, the internal compression components always start unloaded even if system pressures are not balanced. In addition, since internal compressor pressures are always balanced at start-up, low-voltage starting characteristics are excellent for Copeland Scroll compressors.

## 5.8 Deep vacuum operation



### CAUTION

**Vacuum operation! Compressor damage!** Scroll compressors should never be used to evacuate a refrigeration or air-conditioning system.

The scroll compressor can be used to pump down refrigerant in a unit as long as the pressures remain within the operating envelope. Low suction pressures will result in overheating of the scrolls and permanent damage to the compressor drive bearing. ZP and ZR scrolls incorporate internal low vacuum protection; the floating seal unloads when the pressure ratio exceeds approximately 10:1.

## 5.9 Shell temperature

The top shell and discharge line can briefly but repeatedly reach temperatures above 177°C if the compressor cycles on its internal protection devices. This only happens under rare circumstances and can be caused by the failure of system components such as the condenser or evaporator fan or loss of charge and depends upon the type of expansion control. Care must be taken to ensure that wiring or other materials that could be damaged by these temperatures do not come in contact with the shell.

## 5.10 Pump-down cycle

A pump-down cycle for control of refrigerant migration may be used in conjunction with a crankcase heater when the compressor is located so that cold air blowing over the compressor makes the crankcase heater ineffective.

**If a pump-down cycle is used, a separate external check valve must be added.** The scroll discharge check valve is designed to stop extended reverse rotation and prevent high-pressure gas from leaking rapidly into the low side after shut off. The check valve will in some cases leak more than reciprocating compressor discharge reeds, normally used with pump-down, causing the scroll compressor to recycle more frequently. Repeated short-cycling of this nature can result in a low oil situation and consequent damage to the compressor. The low-pressure control differential has to be reviewed since a relatively large volume of gas will re-expand from the high side of the compressor into the low side after shutdown.

**Pressure control setting: Never set the low-pressure control to shut off outside of the operating envelope. To prevent the compressor from running into problems during such faults as loss of charge or partial blockage, the control should not be set lower than 12 to 15K equivalent suction pressure below the lowest design operating point.**

## 5.11 Pump-out cycle

A pump-out cycle has been successfully used by some manufacturers of large rooftop units. After an extended off period, a typical pump-out cycle will energize the compressor for up to one second followed by an off time of 5 to 20 seconds. This cycle is usually repeated a second time, the third time the compressor stays on for the cooling cycle.

## 5.12 Minimum run time

Emerson Climate Technologies recommends a maximum of 10 starts per hour. There is no minimum off time because scroll compressors start unloaded, even if the system has unbalanced pressures. The most critical consideration is the minimum run time required to return oil to the compressor after start-up. To establish the minimum run time obtain a sample compressor equipped with a sight tube (available from Emerson Climate Technologies) and install it in a system with the longest connecting lines that are approved for the system. The minimum on time becomes the time required for oil lost during compressor start-up to return to the compressor sump and restore a minimal oil level that will ensure oil pick-up through the crankshaft. Cycling the compressor for a shorter period than this, for instance to maintain very tight temperature control, will result in progressive loss of oil and damage to the compressor.

## 5.13 Shut-off sound

Scroll compressors incorporate a device that minimizes reverse rotation. The residual momentary reversal of the scrolls at shut off will cause a clicking sound, but it is entirely normal and has no effect on compressor durability.

## 5.14 Frequency

There is no general release of standard Copeland Scroll compressors for use with variable speed AC drives. There are numerous issues that must be considered when applying Scroll compressors with variable speed, including system design, inverter selection, and operating envelopes at various conditions. Only frequencies from 50 Hz to 60 Hz are acceptable. Operation outside this frequency range is possible but should not be done without specific Application Engineering review. The voltage must vary proportionally to the frequency.

If the inverter can only deliver a maximum voltage of 400V, the amps will increase when the speed is above 50 Hz, and this may give rise to nuisance tripping if operation is near the maximum power limit and/or compressor discharge temperature limit.

## 5.15 Oil level

The oil level should be maintained at mid-point of the sight glass. If an oil regulator is used the level should be set within the top half of the sight glass.

## 6 Maintenance & repair

### 6.1 Exchanging the refrigerant

Qualified refrigerants and oils are given in section 2.3.1.

It is not necessary to replace the refrigerant with new unless contamination due to an error such as topping up the system with an incorrect refrigerant is suspected. To verify correct refrigerant composition, a sample can be taken for chemical analysis. A check can be made during shut down by comparing the refrigerant temperature and pressure using precision measurements at a location in the system where liquid and vapour phases are present and when the temperatures have stabilised.

In the event that the refrigerant needs replacing, the charge should be recovered using a suitable recovery unit.

In the event that R22 in a system with mineral oil is to be replaced with R407C, the oil must also be changed. Please refer to Technical Information CC7.26.1 "Refrigerant Changeover from HCFC to HFC Refrigerants".

### 6.2 Rotalock valves

Rotalock valves should be periodically re-torqued to ensure that leak tightness is maintained.

### 6.3 Replacing a compressor



#### CAUTION

**Inadequate lubrication! Bearing destruction!** Exchange the accumulator after replacing a compressor with a burned out motor. The accumulator oil return orifice or screen may be plugged with debris or may become plugged. This will result in starvation of oil to the new compressor and a second failure.

#### 6.3.1 Compressor replacement

In the case of a motor burnout, the majority of contaminated oil will be removed with the compressor. The rest of the oil is cleaned through the use of suction and liquid line filter driers. A 100% activated alumina suction line filter drier is recommended but must be removed after 72 hours. **It is highly recommended that the suction accumulator be replaced if the system contains one.** This is because the accumulator oil-return orifice or screen may be plugged with debris or may become plugged shortly after a compressor failure. This will result in starvation of oil to the replacement compressor and a second failure. When a single compressor or tandem is exchanged in the field, it is possible that a major portion of the oil may still be in the system. While this may not affect the reliability of the replacement compressor, the extra oil will add to rotor drag and increase power usage.

#### 6.3.2 Start-up of a new or replacement compressor

Rapid charging only on the suction side of a scroll-equipped system or condensing unit can occasionally result in a temporary no start condition for the compressor. The reason for this is that, if the flanks of the compressor happen to be in a sealed position, rapid pressurisation of the low side without opposing high-side pressure can cause the scrolls to seal axially. As a result, until the pressures eventually equalise, the scrolls can be held tightly together preventing rotation. The best way to avoid this situation is to charge on both the high and low sides simultaneously at a rate which does not result in axial loading of the scrolls.

A minimum suction pressure of 1.75 bar must be maintained during charging. Allowing pressure to drop below 0.5 bar for more than a few seconds may overheat scrolls and cause early drive bearing damage. Never install a system in the field and leave it unattended when it has no charge, a holding charge, or with the service valves closed without securely electrically locking out the system. This will prevent unauthorised personnel from accidentally operating the system and potentially ruining the compressor by operating with no refrigerant flow. **Do not start the compressor while the system is in a deep vacuum.** Internal arcing may occur when a scroll compressor is started in a vacuum causing burnout of the internal lead connections.



## 6.4 Lubrication and oil removal



### CAUTION

**Chemical reaction! Compressor destruction!** Do not mix up ester oils with mineral oil and/or alkyl benzene when used with chlorine-free (HFC) refrigerants.

The compressor is supplied with an initial oil charge. The standard oil charge for use with refrigerants R407C / R410A / R134a is a polyolester (POE) lubricant Emkarate RL 32 3MAF. In the field the oil level could be topped up with Mobil EAL Arctic 22 CC if 3MAF is not available. The standard mineral oil for R22 is Suniso 3GS or Copeland White Oil according to compressor model. See nameplate for original oil charge shown in litres. A field recharge is from 0.05 to 0.1 litre less.

One disadvantage of POE is that it is far more hygroscopic than mineral oil (see **Figure 26**). Only brief exposure to ambient air is needed for POE to absorb sufficient moisture to make it unacceptable for use in a refrigeration system. Since POE holds moisture more readily than mineral oil it is more difficult to remove it through the use of vacuum. Compressors supplied by Emerson Climate Technologies contain oil with low moisture content, and it may rise during the system assembling process. Therefore it is recommended that a properly sized filter-drier is installed in all POE systems. This will maintain the moisture level in the oil to less than 50 ppm. If oil is charged into a system, it is recommended to use POE with a moisture content no higher than 50 ppm.

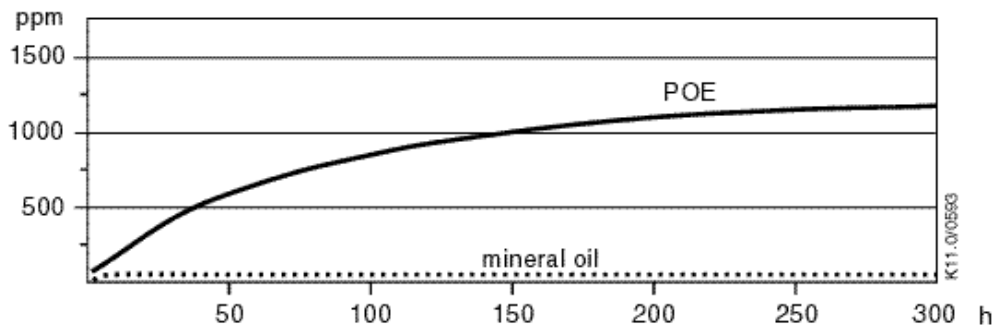


Figure 26: Absorption of moisture in ester oil in comparison to mineral oil in ppm by weight at 25°C and 50% relative humidity (h=hours)

If the moisture content of the oil in a refrigeration system reaches unacceptably high levels, corrosion and copper plating may occur. The system should be evacuated down to 0.3 mbar or lower. If there is uncertainty as to the moisture content in the system, an oil sample should be taken and tested for moisture. Sight glass/moisture indicators currently available can be used with the HFC refrigerants and lubricants; however, the moisture indicator will just show the moisture content of the refrigerant. The actual moisture level of POE would be higher than the sight glass indicates. This is due to the high hygroscopicity of the POE oil. To determine the actual moisture content of the lubricant, samples have to be taken from the system and analysed.

## 6.5 Oil additives

Although Emerson Climate Technologies cannot comment on any specific product, from our own testing and past experience, we do not recommend the use of any additives to reduce compressor bearing losses or for any other purpose. Furthermore, the long term chemical stability of any additive in the presence of refrigerant, low and high temperatures, and materials commonly found in refrigeration systems is complex and difficult to evaluate without rigorously controlled chemical laboratory testing. The use of additives without adequate testing may result in malfunction or premature failure of components in the system and, in specific cases, in voiding the warranty on the component.

## 6.6 Unbrazing system components



### WARNING

**Explosive flame! Burning!** Oil-refrigerant mixtures are highly flammable. Remove all refrigerant before opening the system. Avoid working with an unshielded flame in a refrigerant charged system.

Before opening up a system it is important to remove all refrigerant from both the high and low sides of the system. If the refrigerant charge is removed from a scroll-equipped unit from the

high side only, it is possible for the scrolls to seal, preventing pressure equalization through the compressor. This may leave the low side shell and suction line tubing pressurized. If a brazing torch is then applied to the low side while the low side shell and suction line contain pressure, the pressurized refrigerant and oil mixture could ignite when it escapes and contacts the brazing flame. To prevent this occurrence, it is important to check both the high and low sides with manifold gauges before unbrazing. Instructions should be provided in appropriate product literature and assembly (line repair) areas. If compressor removal is required, the compressor should be cut out of system rather than unbrazed.

## 7 Dismantling & disposal



**Removing oil and refrigerant:**  
**Do not disperse in the environment.**  
**Use the correct equipment and method of removal.**  
**Dispose of oil and refrigerant properly.**  
**Dispose of compressor properly.**

### DISCLAIMER

1. The contents of this publication are presented for informational purposes only and are not to be construed as warranties or guarantees, express or implied, regarding the products or services described herein or their use or applicability.
2. Emerson Climate Technologies GmbH and/or its affiliates (collectively "Emerson"), as applicable, reserve the right to modify the design or specifications of such products at any time without notice.
3. Emerson does not assume responsibility for the selection, use or maintenance of any product. Responsibility for proper selection, use and maintenance of any Emerson product remains solely with the purchaser or end user.
4. Emerson does not assume responsibility for possible typographic errors contained in this publication.



#### BENELUX

Josephinastraat 19  
NL-6462 EL Kerkrade  
Tel. +31 77 324 02 34  
Fax +31 77 324 02 35  
benelux.sales@emerson.com

#### GERMANY, AUSTRIA & SWITZERLAND

Senefeldler Str. 3  
DE-63477 Maintal  
Tel. +49 6109 605 90  
Fax +49 6109 60 59 40  
ECTGermany.sales@emerson.com

#### FRANCE, GREECE & MAGHREB

8, Allée du Moulin Berger  
FR-69134 Ecully Cédex  
Tel. +33 4 78 66 85 70  
Fax +33 4 78 66 85 71  
mediterranean.sales@emerson.com

#### ITALY

Via Ramazzotti, 26  
IT-21047 Saronno (VA)  
Tel. +39 02 96 17 81  
Fax +39 02 96 17 88 88  
italy.sales@emerson.com

#### SPAIN & PORTUGAL

C/ Pujades, 51-55 Box 53  
ES-08005 Barcelona  
Tel. +34 93 412 37 52  
Fax +34 93 412 42 15  
iberica.sales@emerson.com

#### UK & IRELAND

Unit 17, Theale Lakes Business Park  
Reading, Berkshire RG7 4GB  
Tel: +44 1189 83 80 00  
Fax: +44 1189 83 80 01  
uk.sales@emerson.com

#### SWEDEN, DENMARK, NORWAY & FINLAND

Norra Koxåsvägen 7  
SW-443 38 Lerum  
Tel. +46 725 386486  
nordic.sales@emerson.com

#### EASTERN EUROPE & TURKEY

Pascalstr. 65  
DE-52076 Aachen  
Tel. +49 2408 929 0  
Fax +49 2408 929 525  
easterneurope.sales@emerson.com

#### POLAND

Szturmowa 2  
PL-02678 Warsaw  
Tel. +48 22 458 92 05  
Fax +48 22 458 92 55  
poland.sales@emerson.com

#### RUSSIA & CIS

Emerson LLC  
Dubininskaya str. 53, build. 5, 4th floor  
115054 Moscow, Russia  
Phone: +7 (495) 995 95 59  
Fax: +7 (495) 424 88 50

#### BALKAN

Selska cesta 93  
HR-10 000 Zagreb  
Tel. +385 1 560 38 75  
Fax +385 1 560 38 79  
balkan.sales@emerson.com

#### ROMANIA

Tel. +40 374 13 23 50  
Fax +40 374 13 28 11  
Ancuta.Ionescu@Emerson.com

#### ASIA PACIFIC

Suite 2503-8, 25/F, Exchange Tower  
33 Wang Chiu Road, Kowloon Bay  
Kowloon, Hong Kong  
Tel. +852 2866 3108  
Fax +852 2520 6227

#### MIDDLE EAST & AFRICA

PO Box 26382  
Jebel Ali Free Zone - South, Dubai - UAE  
Tel. +971 4 811 81 00  
Fax +971 4 886 54 65  
mea.sales@emerson.com

For more details, see [www.emersonclimate.eu](http://www.emersonclimate.eu)

Connect with us: [facebook.com/EmersonClimateEurope](https://facebook.com/EmersonClimateEurope)



Emerson Climate Technologies - European Headquarters - Pascalstrasse 65 - 52076 Aachen, Germany  
Tel. +49 (0) 2408 929 0 - Fax: +49 (0) 2408 929 570 - Internet: [www.emersonclimate.eu](http://www.emersonclimate.eu)

The Emerson Climate Technologies logo is a trademark and service mark of Emerson Electric Co. Emerson Climate Technologies Inc. is a subsidiary of Emerson Electric Co. Copeland is a registered trademark and Copeland Scroll is a trademark of Emerson Climate Technologies Inc. All other trademarks are property of their respective owners. Emerson Climate Technologies GmbH shall not be liable for errors in the stated capacities, dimensions, etc., as well as typographic errors. Products, specifications, designs and technical data contained in this document are subject to modification by us without prior notice. Illustrations are not binding.  
© 2015 Emerson Climate Technologies, Inc.



**EMERSON. CONSIDER IT SOLVED.™**