

Application Guidelines

Copeland Scroll Digital™ Compressors
for comfort, precision and process cooling

ZRD36KRE to ZRD92KRE

About these guidelines	1
1 Safety instructions	1
1.1 Icon explanation	1
1.2 Safety statements	1
1.3 General instructions	2
2 Product description	3
2.1 Common information about Copeland Scroll Digital™ compressors.....	3
2.2 Nomenclature.....	3
2.3 BOM Variation.....	3
2.4 Dimensions	4
2.5 Application range	6
2.5.1 Qualified refrigerants and oils	6
2.5.2 Application limits and operating envelopes	6
3 Installation	7
3.1 Compressor handling.....	7
3.1.1 Transport and storage	7
3.1.2 Positioning and securing	7
3.1.3 Installation location.....	7
3.1.4 Mounting parts.....	8
3.2 Solenoid valves for models ZRD*KRE compressors.....	8
3.2.1 Solenoid valve installation – General recommendations	9
3.2.2 Solenoid valve installation – Tubing recommendations	9
3.3 Discharge check valve	10
3.4 Brazing procedure.....	10
3.5 Shut-off valves and adaptors	11
3.6 Oil separator	12
3.7 Accumulators	12
3.8 Screens	12
3.9 Mufflers	12
3.10 Suction line noise and vibration	13
4 Electrical connection	14
4.1 General recommendations.....	14
4.2 Electrical installation	14
4.2.1 Terminal box.....	16
4.2.2 Motor winding	16
4.2.3 Motor protection	17
4.2.4 Protection devices	17
4.2.5 Crankcase heaters	17
4.3 Pressure safety controls	17
4.3.1 IPR valve (Internal Pressure Relief valve)	17

Copeland Scroll™

Digital

4.3.2	High-pressure control.....	17
4.3.3	Low-pressure control.....	18
4.4	Discharge temperature protection	18
4.5	High potential testing	19
5	Starting up & operation.....	20
5.1	Strength pressure test.....	20
5.2	Tightness/pressure test.....	20
5.3	System evacuation.....	20
5.4	Preliminary checks – Pre-starting	20
5.5	Charging procedure	21
5.6	Initial start-up	21
5.7	Rotation direction	21
5.8	Pressure fluctuations	22
5.9	Starting sound.....	22
5.10	Deep vacuum operation.....	22
5.11	Shell temperature.....	22
5.12	Pump-down cycle.....	22
5.13	Minimum run time	22
5.14	Sound characteristics.....	23
5.15	Shut-off sound.....	23
5.16	Frequency	23
5.17	Oil level	23
5.18	Digital system control.....	23
5.19	Power factor	23
6	Maintenance & repair	24
6.1	Exchanging the refrigerant.....	24
6.2	Rotalock valves.....	24
6.3	Replacing a compressor	24
6.3.1	Compressor replacement.....	24
6.3.2	Start-up of a new or replacement compressor.....	24
6.4	Lubrication and oil removal	25
6.5	Oil additives	25
6.6	Unbrazing system components	26
7	Dismantling & disposal.....	26
	DISCLAIMER	26

About these guidelines

The purpose of these application guidelines is to provide guidance in the application of Copeland Scroll™ compressors in users' systems. They are intended to answer the questions raised while designing, assembling and operating a system with these products.

Besides the support they provide, the instructions listed herein are also critical for the proper and safe functioning of the compressors. Emerson will not guarantee the performance and reliability of the product if it is misused in regard of these guidelines.

These application guidelines cover stationary applications only. For mobile applications, contact Application Engineering as other considerations may apply.

1 Safety instructions




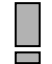


Copeland Scroll compressors are manufactured according to the latest European and US Safety Standards. Particular emphasis has been placed on the user's safety.

These compressors are intended for installation in systems in accordance with the Machinery Directive MD 2006/42/EC and the Pressure Equipment Directive PED 2014/68/EU. They may be put to service only if they have been installed in these systems according to instructions and conform to the corresponding provisions of legislation. For relevant standards please refer to the Manufacturer's Declaration, available at www.climate.emerson.com/en-gb.

These instructions should be retained throughout the lifetime of the compressor.

You are strongly advised to follow these safety instructions.

1.1 Icon explanation

 <p>WARNING This icon indicates instructions to avoid personal injury and material damage.</p>	 <p>CAUTION This icon indicates instructions to avoid property damage and possible personal injury.</p>
 <p>High voltage This icon indicates operations with a danger of electric shock.</p>	 <p>IMPORTANT This icon indicates instructions to avoid malfunction of the compressor.</p>
 <p>Danger of burning or frostbite This icon indicates operations with a danger of burning or frostbite.</p>	<p>NOTE This word indicates a recommendation for easier operation.</p>
 <p>Explosion hazard This icon indicates operations with a danger of explosion.</p>	

1.2 Safety statements

- Refrigerant compressors must be employed only for their intended use.
- Only qualified and authorized HVAC or refrigeration personnel are permitted to install, commission and maintain this equipment.
- Electrical connections must be made by qualified electrical personnel.
- All valid standards for connecting electrical and refrigeration equipment must be observed.
- The national legislation and regulations regarding personnel protection must be observed.



Use personal safety equipment. Safety goggles, gloves, protective clothing, safety boots and hard hats should be worn where necessary.

Copeland Scroll™

Digital

1.3 General instructions



WARNING

System breakdown! Personal injuries! Never install a system in the field and leave it unattended when it has no charge, a holding charge, or with the service valves closed without electrically locking out the system.

System breakdown! Personal injuries! Only approved refrigerants and refrigeration oils must be used.



WARNING

High shell temperature! Burning! Do not touch the compressor until it has cooled down. Ensure that other materials in the area of the compressor do not get in touch with it. Lock and mark accessible sections.



CAUTION

Overheating! Bearing damage! Do not operate compressors without refrigerant charge or without being connected to the system.



CAUTION

Contact with POE! Material damage! POE lubricant must be handled carefully and the proper protective equipment (gloves, eye protection, etc.) must be used at all times. POE must not come into contact with any surface or material that it might damage, including without limitation, certain polymers, eg, PVC/CPVC and polycarbonate.



IMPORTANT

Transit damage! Compressor malfunction! Use original packaging. Avoid collisions and tilting.

2 Product description

2.1 Common information about Copeland Scroll Digital™ compressors

The Scroll compressor has been under development at Emerson since 1979. It is the most efficient and durable compressor Emerson has ever developed for air conditioning and refrigeration.

These application guidelines deal with Copeland Scroll™ Digital compressors for air conditioning ZRD36KRE to ZRD92KRE. These compressors include a wide range of capacities, electrical options and features.

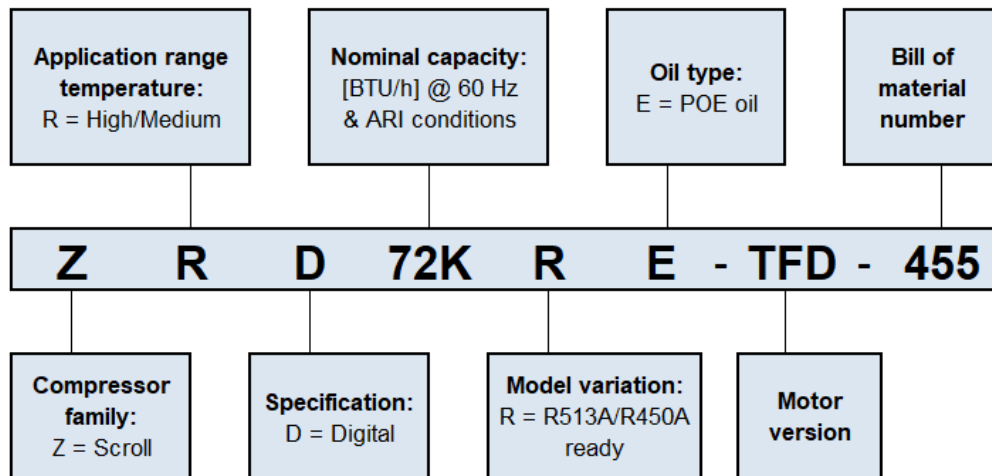
Compressor	Cooling capacity [kW]		Motor
	R450A	R513A	
ZRD36KRE	2.55	3.00	PFJ/TFD
ZRD48KRE	3.47	4.09	TFD
ZRD61KRE	4.28	5.05	TFD
ZRD72KRE	5.14	6.03	TFD
ZRD92KRE	6.26	7.51	TFD

Table 1: Cooling capacity for ZRD*KRE compressors @ -10°C/45°C/10K/0K

Copeland Scroll Digital compressors have one scroll compression set driven by a single or three-phase induction motor. The Scroll set is mounted at the upper end of the rotor shaft of the motor. The rotor shaft axis is in the vertical plane.

2.2 Nomenclature

The model designation contains the following technical information about the compressor:



2.3 BOM Variation

The BOM (bill of material) number at the end of the compressor designation indicates the compressor layout and details.

In general, there is one BOM version for the whole range of ZRD*KRE compressors:

BOM 455 braze connections, oil sight glass, oil service connection, IP21 t-box, no mounting parts

Please refer to the Emerson price list for more details.

Copeland Scroll™

Digital

2.4 Dimensions

Compressor model	A [mm]	B [mm]	C [mm]	D [mm]	E [mm]	F [mm]	G [mm]	Ø H [mm]
ZRD36KRE	435.3	417.2	366.4	264.6	222.8	75.3	49.8	19
ZRD48KRE	466	448	397.1	294.1	252.5	75.3	49.8	22.2
ZRD61/72KRE	-	25.6	412.1	296.7	230.2-236.2	79.6	47.6	12.7
ZRD92KRE	-	129.7	412.1	296.7	230.2-236.2	79.6	47.6	19

Table 2: Dimensions Digital scroll ZRD*KRE

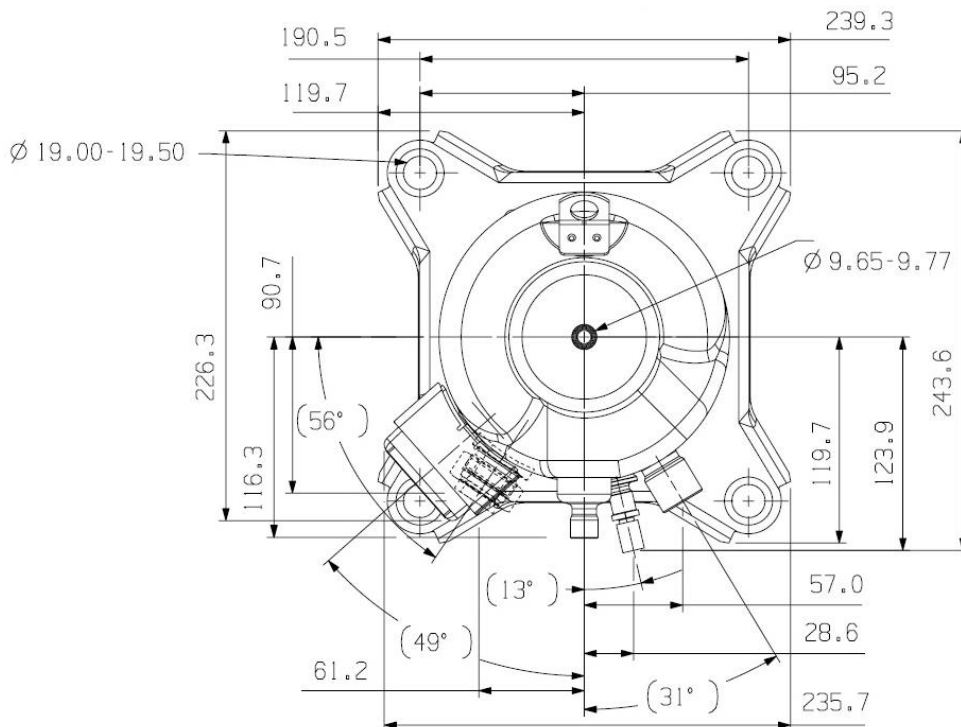
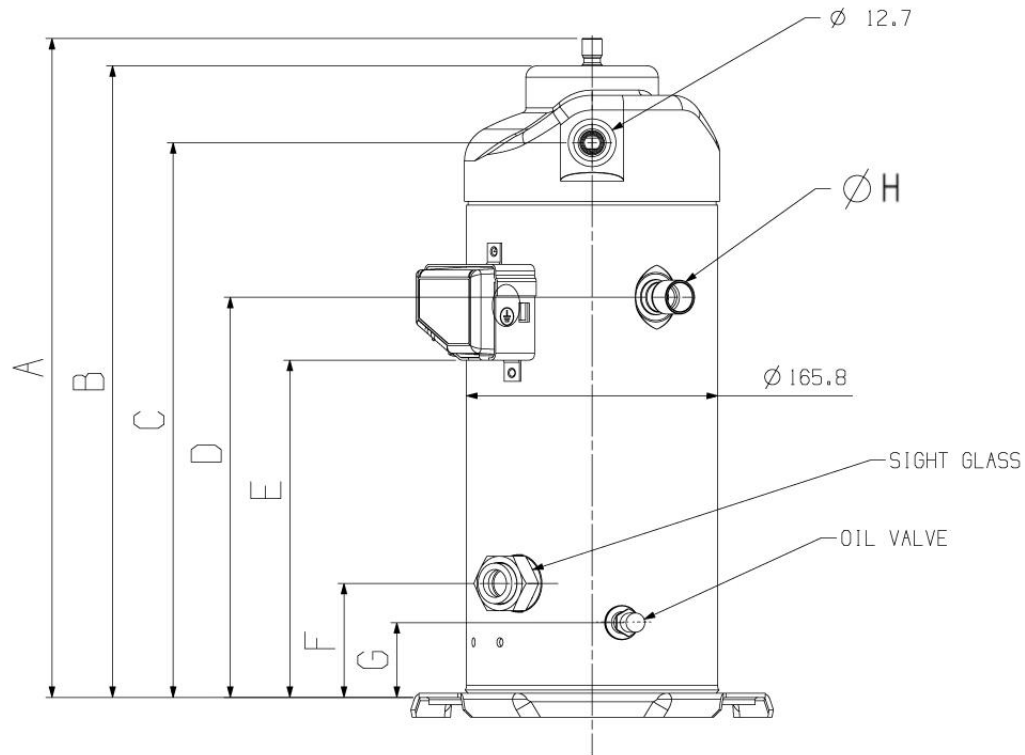


Figure 1: Dimensions of models ZRD36KRE & ZRD48KRE

Copeland Scroll™

Digital

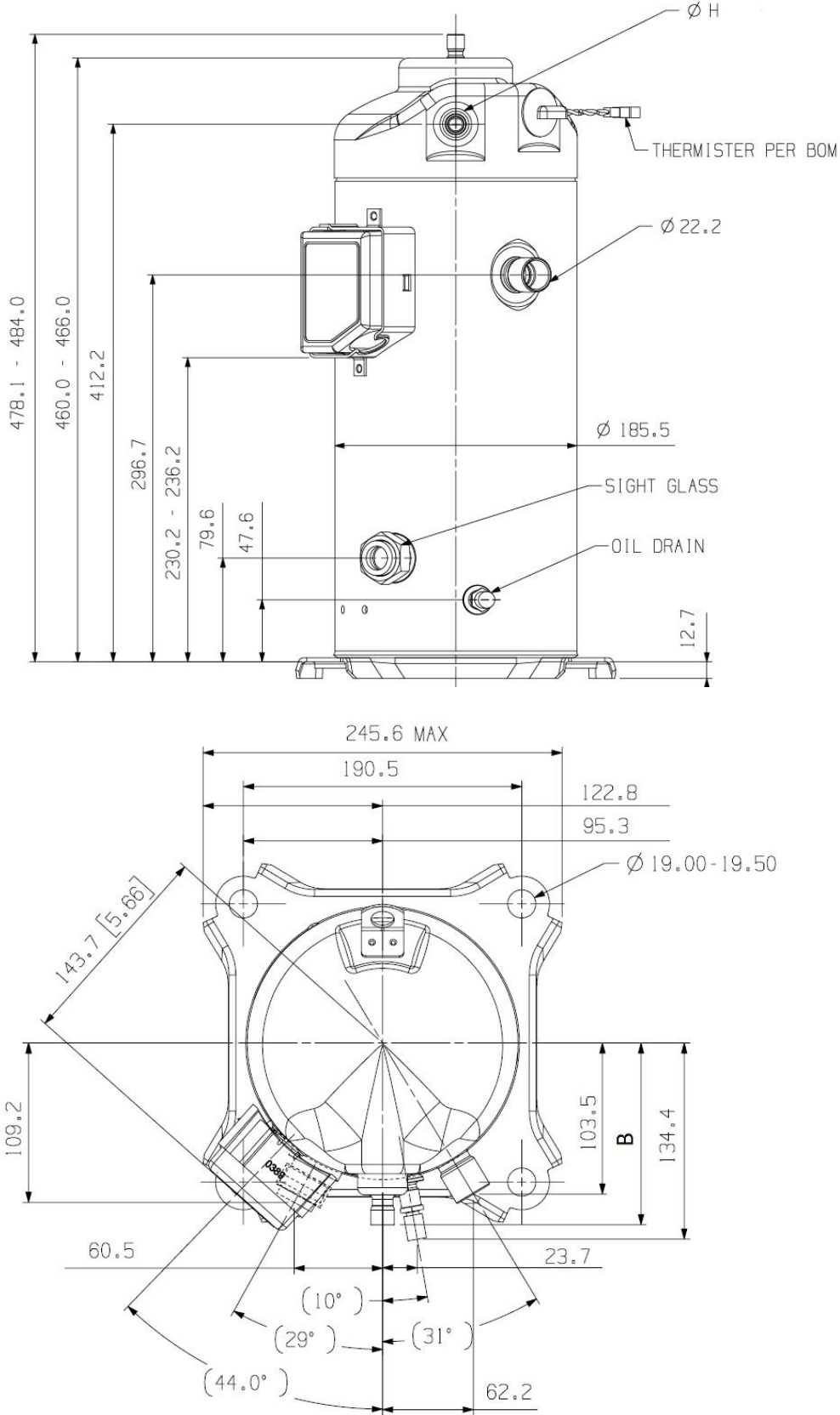


Figure 2: Dimensions of models ZRD61KRE to ZRD92KRE

Copeland Scroll™

Digital

2.5 Application range

2.5.1 Qualified refrigerants and oils



IMPORTANT

It is essential that the glide of refrigerant blends (primarily R450A) be carefully considered when adjusting pressure and superheat controls.

Oil recharge values can be taken from Copeland Scroll compressors brochures or Copeland™ brand products Select software at www.climate.emerson.com/en-gb.

Compressor	ZRD*KRE
Qualified refrigerants	R450A, R513A
Copeland™ brand products standard oil	Emkarate RL 32 3MAF
Servicing oils	Emkarate RL 32 3MAF, Mobil EAL Arctic 22 CC

Table 3: Qualified refrigerants and oils

2.5.2 Application limits and operating envelopes



CAUTION

Inadequate lubrication! Compressor breakdown! The superheat at the compressor suction inlet must always be sufficient to ensure that no refrigerant droplets enter the compressor. For a typical evaporator-expansion valve configuration a minimum stable superheat of at least 5K is required.

Application envelopes for the various refrigerants can be found in Select software, available at www.climate.emerson.com/en-gb.

3 Installation



WARNING

High pressure! Injury to skin and eyes possible! Be careful when opening connections on a pressurized item.

3.1 Compressor handling

3.1.1 Transport and storage



WARNING

Risk of collapse! Personal injuries! Move compressors only with appropriate mechanical or handling equipment according to weight. Keep in the upright position. Respect stacking loads according to **Figure 3**. Check the tilting stability and if needed take action to ensure the stability of the stacked loads. Keep the packaging dry at all times.



Respect the maximum number of identical packages which may be stacked on one another, where "n" is the limiting number:

- **Transport: n = 1**
- **Storage: n = 2**

Figure 3: Maximum stacking loads for transport and storage

The compressor tilt angle should not be more than 30° during transport and handling. This will prevent oil from exiting through the suction stub. A tilt angle of maximum 45° is allowed for a very short time. Tilting the compressor more than 45° might affect its lubrication at start-up.

3.1.2 Positioning and securing



IMPORTANT

Handling damage! Compressor malfunction! Only use the lifting eyes whenever the compressor requires positioning. If the compressor has two lifting tabs, both must be used for lifting. Using discharge or suction connections for lifting may cause damage or leaks.

If possible, the compressor should be kept vertical during handling.

The discharge connection plug should be removed first before pulling the suction connection plug to allow the dry air pressure inside the compressor to escape. Pulling the plugs in this sequence prevents oil mist from coating the suction tube making brazing difficult. The copper-coated steel suction tube should be cleaned before brazing.

The compressor plugs must be removed as late as possible before brazing so that the air humidity does not affect the oil characteristics.

As oil might spill out of the suction connection located low on the shell, the suction connection plug must be left in place until the compressor is set into the unit.

No object, eg, a swaging tool should be inserted deeper than 51 mm into the suction tube as it might damage the suction screen and motor.

3.1.3 Installation location

Scroll compressors are capable of operating correctly with compressor ambient humidity between 30% and 95%. For correct operation the compressor ambient air temperatures have to be between -40°C and 60°C and the compressor PS and TS have to be respected at all times during operation and at a standstill.

Ensure that the compressors are installed on a solid level base. For single compressor application, the compressor tilt angle during operation should not be more than 15° to allow adequate lubrication. For multiple compressor parallel configurations, the compressors must be positioned completely vertically on a totally horizontal surface or rail.

Copeland Scroll™

Digital

3.1.4 Mounting parts

Four vibration absorber grommets are supplied with each compressor. They dampen the start-up surge of the compressor and minimise sound and vibration transmission to the compressor base during operation. The metal sleeve inside is a guide designed to hold the grommet in place. It is not designed as a load-bearing member, and application of excessive torque to the bolts can crush the sleeve. Its inner diameter is approximately 8.5 mm to fit, eg, an M8 screw. The mounting torque should be 13 ± 1 Nm. It is critically important for the grommet not to be compressed.

If the compressors are mounted in tandem or used in parallel, then the hard mountings (bolt M8 5/16") are recommended. The mounting torque should be 27 ± 1 Nm.

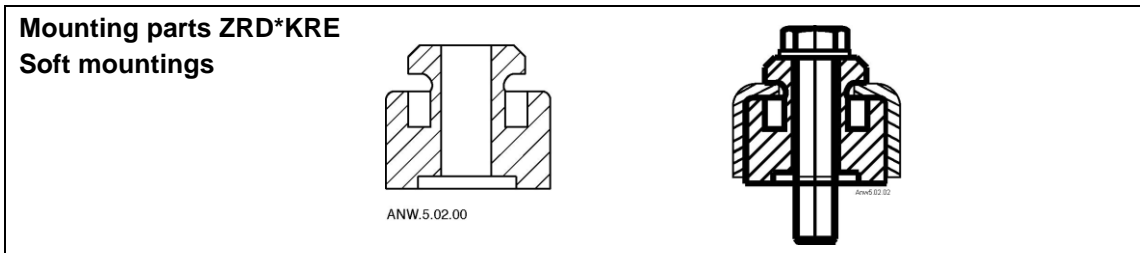


Figure 4: Mounting parts

3.2 Solenoid valves for models ZRD*KRE compressors



IMPORTANT

The external solenoid valve is a critical component for proper operation of these compressors. **Only** the Emerson brand solenoid valve supplied as a requested accessory must be used.

Due to the high life-cycle requirements in a hot gas environment, a special valve has been developed. A screen is provided in the digital solenoid valve to prevent debris from disrupting valve operation.

For reliability requirements, only Emerson-approved solenoid valves may be used for this application. All compressor warranties are null and void if the Emerson-approved valve is not used. For digital solenoid valve and complete tubing kits reference, see Emerson spare parts software available at www.climate.emerson.com/en-gb.

Care must be taken during the brazing process that no solid parts can enter the control piston compartment or the solenoid valve tubing. To prevent solid parts from entering the control valve seat, the solenoid valve kit contains a filter screen.

The solenoid valve has to be fitted in such a way that the sleeve with the stem inside – which supports the solenoid coil – is fixed and aligned in the upright position.

In case of compressor exchange, Emerson recommends replacing the high cycle digital solenoid valve and coil at the same time.

For any defect around the digital solenoid valve, it is always good practise to exchange both the solenoid valve and the coil.



Figure 5: Position of external solenoid valve without and with sound shell

3.2.1 Solenoid valve installation – General recommendations

- The solenoid must be mounted vertically, within $\pm 15^\circ$ of vertical. Horizontal mounting is not permitted.
- If a suction Rotalock fitting is used, the threaded shipping plug in the Rotalock fitting must be removed prior to brazing in the vertical solenoid line.
- The valve operation is directional. See **Figure 6** below for inlet and outlet locations.
- Do not restrict the line size coming from or leaving the solenoid. Use 3/8" soft drawn copper.
- Mount the solenoid valve to the suction line. The tube from the solenoid to the suction should be as short as possible, less than 3" (76 mm).
- From the top cap to the solenoid a series of bends and/or shock loops are required to dampen vibrations and resonance frequencies the assemblies might see during operation and start-up. Solenoid tubing mounting kits including solenoid valves are available from Emerson.
- The valve body contains a small filter mesh, to avoid large particles entering the inside (see **Figure 7**), which could lead to a defect and blockage. The filter is part of the valve delivery and already crimped inside; it cannot be changed. This is different from previous valve body versions, where the filter was delivered loose to the valve body and could be exchanged.
- The recommended tightening torque for the screw to fix the coil on the solenoid valve is 2 Nm.

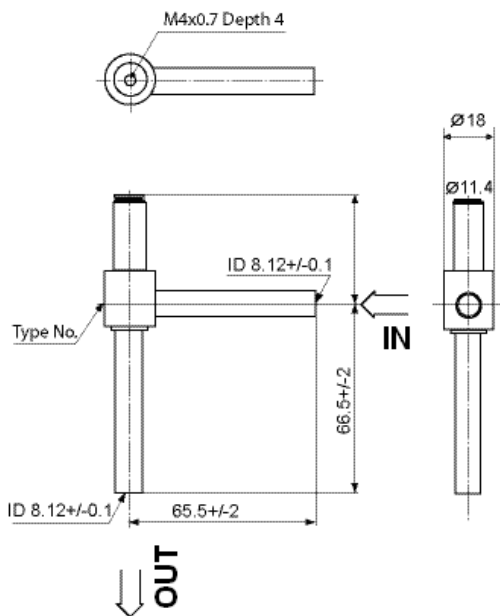


Figure 6: Control valve without coil

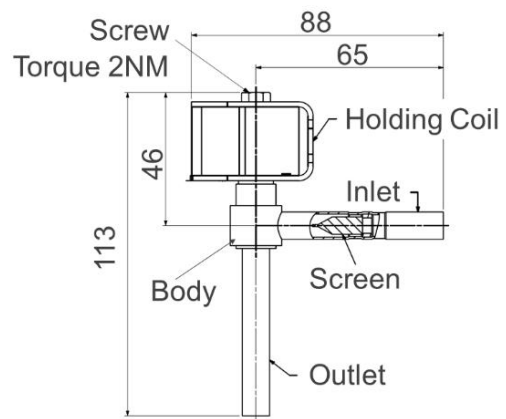


Figure 7: Control valve with coil

3.2.2 Solenoid valve installation – Tubing recommendations

IMPORTANT

This tube has been tested and qualified at 50 and 60 Hz operation for running stresses and resonance in a single compressor lab environment. However, in some compressor applications such as racks and transport applications, the OEM is strongly advised to re-confirm the acceptability of the tube when the compressor is subject to additional vibration inputs.

The tube from the solenoid to the suction, marked "A", should be as short as possible (less than 7.5 cm). Dimensions for a typical tube going from the top of the compressor are shown in **Figures 8 & 9**.

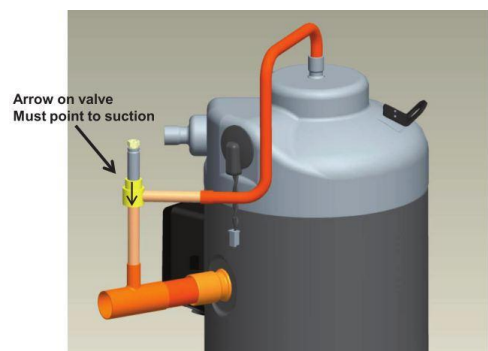


Figure 8: Recommended piping

Copeland Scroll™

Digital

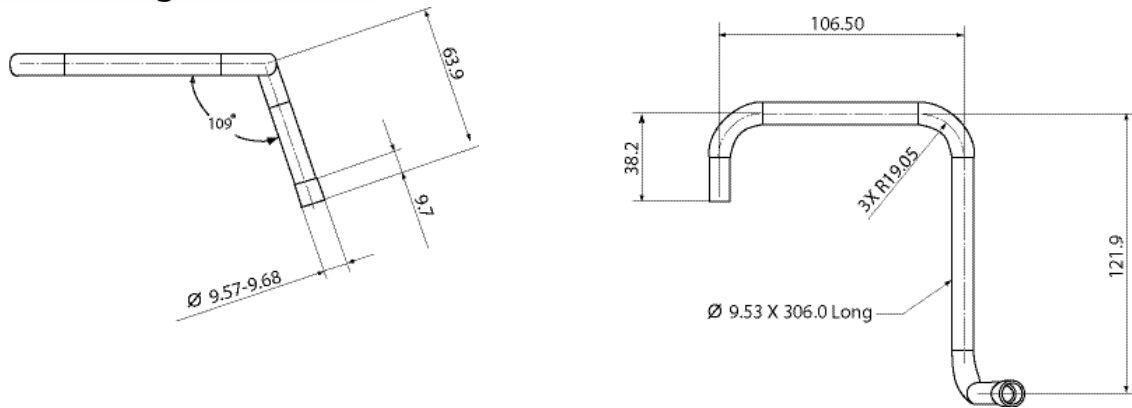


Figure 9: Control valve pipe connection

Emerson has developed digital solenoid tubing kits for compressors with brazing stub tubes or with Rotalock connections and 24V or 230V coil – see **Figures 10 & 11**. The kits are optimized to fit with or without sound shell and are valid for all compressor sizes using an external visible solenoid valve.

For digital solenoid valve and complete tubing kits references, see Emerson spare parts software available at www.climate.emerson.com/en-gb.

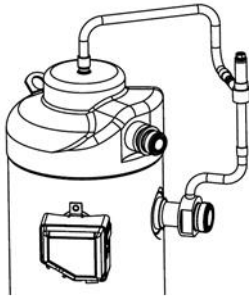


Figure 10: Piping kit for Rotalock connections

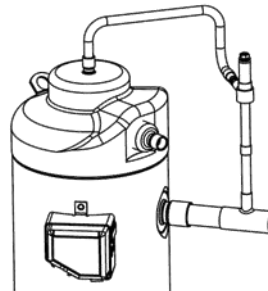


Figure 11: Piping kit for stub tubes

3.3 Discharge check valve

There is no discharge check valve at the discharge port of ZRD*KRE digital compressors since the high-side pressure is needed to support the operation of the unloader mechanism.

To avoid by-passing during the unloading process back to suction, a dynamic discharge valve is fitted internally on the discharge port of the fixed scroll. This discharge valve cannot be used with recycling pump-down because it is not leak-proof during the off period.

3.4 Brazing procedure

IMPORTANT

Blockage! Compressor breakdown! Maintain a flow of oxygen-free nitrogen through the system at very low pressure during brazing. Nitrogen displaces the air and prevents the formation of copper oxides in the system. If allowed to form, the copper oxide material can later be swept through the system and block screens such as those protecting capillary tubes, thermal expansion valves, and accumulator oil return holes.

Contamination or moisture! Bearing failure! Do not remove the plugs until the compressor is set into the unit. This minimises any entry of contaminants and moisture.

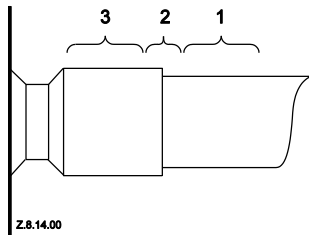


Figure 12: Suction tube brazing areas

The Copeland Scroll compressor versions with stub tubes have copper-plated steel suction and discharge tubes. These tubes are far more robust and less prone to leaks than copper tubes. Due to the different thermal properties of steel and copper, brazing procedures may have to be changed from those commonly used.

Refer to **Figure 12** and the procedure below for the brazing of the suction and discharge lines to a scroll compressor.

- The copper-coated steel tubes on scroll compressors can be brazed in approximately the same manner as any copper tube.
- Recommended brazing materials: any Silfos material is recommended, preferably with a minimum of 5% silver. However, 0% silver is acceptable.
- Be sure tube fitting inner diameter and tube outer diameter are clean prior to assembly.
- Using a double-tipped torch, apply heat in area 1.
- As the tube approaches brazing temperature, move the torch flame to area 2.
- Heat area 2 until braze temperature is attained, moving the torch up and down and rotating around the tube as necessary to heat the tube evenly. Add braze material to the joint while moving the torch around the joint to flow braze material around the circumference.
- After the braze material flows around the joint, move the torch to heat area 3. This will draw the braze material down into the joint. The time spent heating area 3 should be minimal.
- As with any brazed joint, overheating may be detrimental to the final result.

To disconnect:

- Heat joint areas 2 and 3 slowly and uniformly until the braze material softens and the tube can be pulled out of the fitting.

To reconnect:

- Recommended brazing materials: Silfos with minimum 5% silver or silver braze used on other compressors. Due to the different thermal properties of steel and copper, brazing procedures may have to be changed from those commonly used.

3.5 Shut-off valves and adaptors



CAUTION

Leaking system! System breakdown! It is strongly recommended to periodically re-torque all pipe and fixing connections to the original setting after the system has been put into operation.

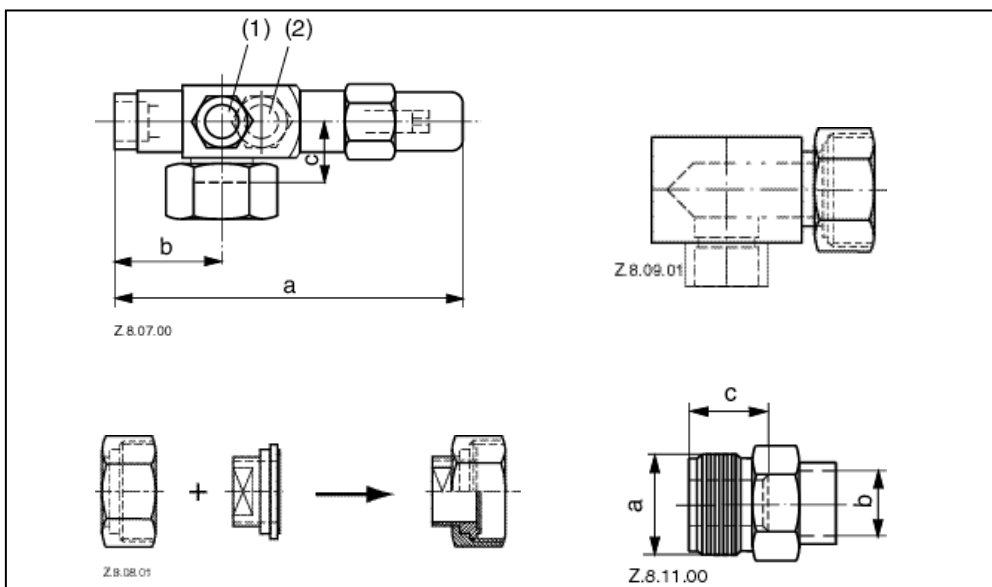


Figure 12

Copeland Scroll™

Digital

Braze connections can be converted to Rotalock by means of adaptors. Rotalock shut-off valves are available for the suction as well as the discharge side. Using either straight or angled adaptors provides a way to convert a Rotalock into a brazing connection.

Refer to **Table 4** for proper tightening torques:

	Torque [Nm]
Rotalock 3/4" – 16UNF	40-50
Rotalock 1" – 14UNS	70-80
Rotalock 1 ¼" – 12UNF	110-135
Rotalock 1 ¾" – 12 UNF	135-160

Table 4

NOTE: More information about adaptors and shut-off valves can be found in the Emerson spare parts software at www.climate.emerson.com/en-gb.

3.6 Oil separator

During any operating cycle of Copeland Scroll Digital compressors, there is a loaded state during which the compressor operates at full capacity. The velocity of gas during this loaded state is sufficient to return oil back to the compressor. Laboratory tests have established that there is no problem in oil return, even when the length of the interconnecting pipe used is 100 metres and the vertical elevation is 30 metres. Based on such performance, we do not strictly recommend the use of an oil separator.

3.7 Accumulators



CAUTION

Inadequate lubrication! Bearing destruction! Minimise liquid refrigerant returning to the compressor. Too much refrigerant dilutes the oil. Liquid refrigerant can wash the oil off the bearings leading to overheating and bearing failure.

Irrespective of system charge, oil dilution may occur if large amounts of liquid refrigerant repeatedly flood back to the compressor during:

- normal off cycles;
- defrost;
- varying loads.

In such a case an accumulator must be used to reduce flood-back to a safe level that the compressor can handle. The use of accumulators is dependent on the application. If an accumulator has to be used, the oil-return orifice should be from 1 to 1.4 mm in diameter for all models covered in these guidelines, depending on compressor size and compressor flood-back results.

The size of the accumulator depends upon the operating range of the system and the amount of subcooling and subsequent head pressure allowed by the refrigerant control.

3.8 Screens



CAUTION

Screen blocking! Compressor breakdown! Use screens with at least 0.6 mm openings.

The use of screens finer than 30 x 30 mesh (0.6 mm openings) anywhere in the system should be avoided with these compressors. Field experience has shown that finer mesh screens used to protect thermal expansion valves, capillary tubes, or accumulators can become temporarily or permanently plugged with normal system debris and block the flow of either oil or refrigerant to the compressor. Such blockage can result in compressor failure.

3.9 Mufflers

External mufflers, normally applied to piston compressors in the past, may not be required for Copeland Scroll compressors.

Individual system tests should be performed to verify acceptability of sound performance. If adequate attenuation is not achieved, use a muffler with a larger cross-sectional area to inlet area ratio. A ratio of 20:1 to 30:1 is recommended. A hollow shell muffler will work quite well. Locate the muffler at minimum 15 cm to maximum 45 cm from the compressor for the most effective operation. The farther the muffler is placed from the compressor within these ranges, the more effective. Choose a muffler with a length of 10 to 15 cm.

3.10 Suction line noise and vibration

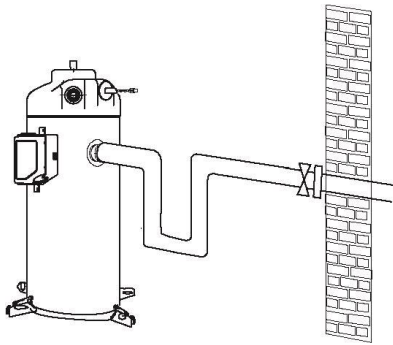


Figure 13 Suction tube design

Copeland Scroll compressors inherently have low sound and vibration characteristics. However in some respects the sound and vibration characteristics differ from reciprocating compressors and in rare instances could result in unexpected sound generation. One difference is that the vibration characteristic of the scroll compressor, although low, includes two very close frequencies, one of which is normally isolated from the shell by the suspension of an internally-suspended compressor. These frequencies, which are present in all compressors, may result in a low-level "beat" frequency that can be detected as noise coming along the suction line into the building under some conditions. Elimination of the beat can be achieved by attenuating either of the contributing frequencies. This is easily done by using one of the common combinations of recommended design configurations.

The scroll compressor makes both a rocking and twisting motion and enough flexibility must be provided in the line to prevent vibration transmission into any lines attached to the unit. In a split system, the most important goal is to ensure minimal vibration in all directions at the service valve to avoid transmitting vibrations to the structure to which the lines are fastened.

A second difference of the Copeland Scroll compressor is that under some conditions the normal rotational starting motion of the compressor can transmit an "impact" noise along the suction line. This may be particularly pronounced in three-phase models due to their inherently higher starting torque. This phenomenon, like the one described previously, also results from the lack of internal suspension and can be easily avoided by using standard suction line isolation techniques as described below. The sound phenomena described above are not usually associated with reversible air conditioning / heat pump systems because of the isolation and attenuation provided by the reversing valve and tubing bends.

Recommended configuration

- Tubing configuration:small shock loop
- Service valve: "angled valve" fastened to unit / wall
- Suction muffler:not required

Alternative configuration

- Tubing configuration:small shock loop
- Service valve: "straight through" valve fastened to unit / wall
- Suction muffler:may be required (acts as dampening mass)

4 Electrical connection

4.1 General recommendations

The compressor terminal box has a wiring diagram on the inside of its cover. Before connecting the compressor, ensure the supply voltage, the phases and the frequency match the nameplate data.

4.2 Electrical installation

Single-phase (PF*) compressors:

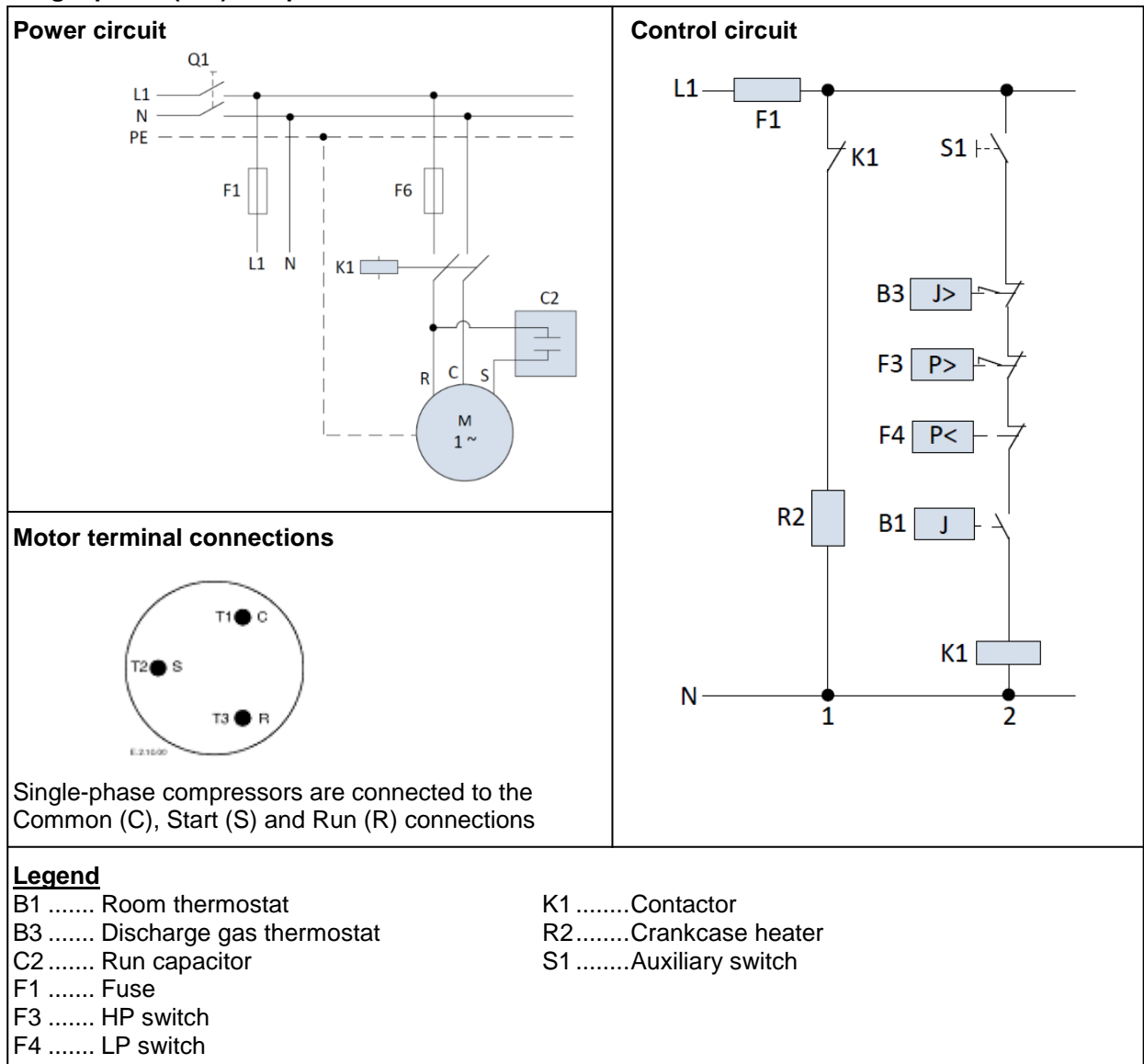


Figure 14

Three-phase compressors (TF*) with internal motor protection:

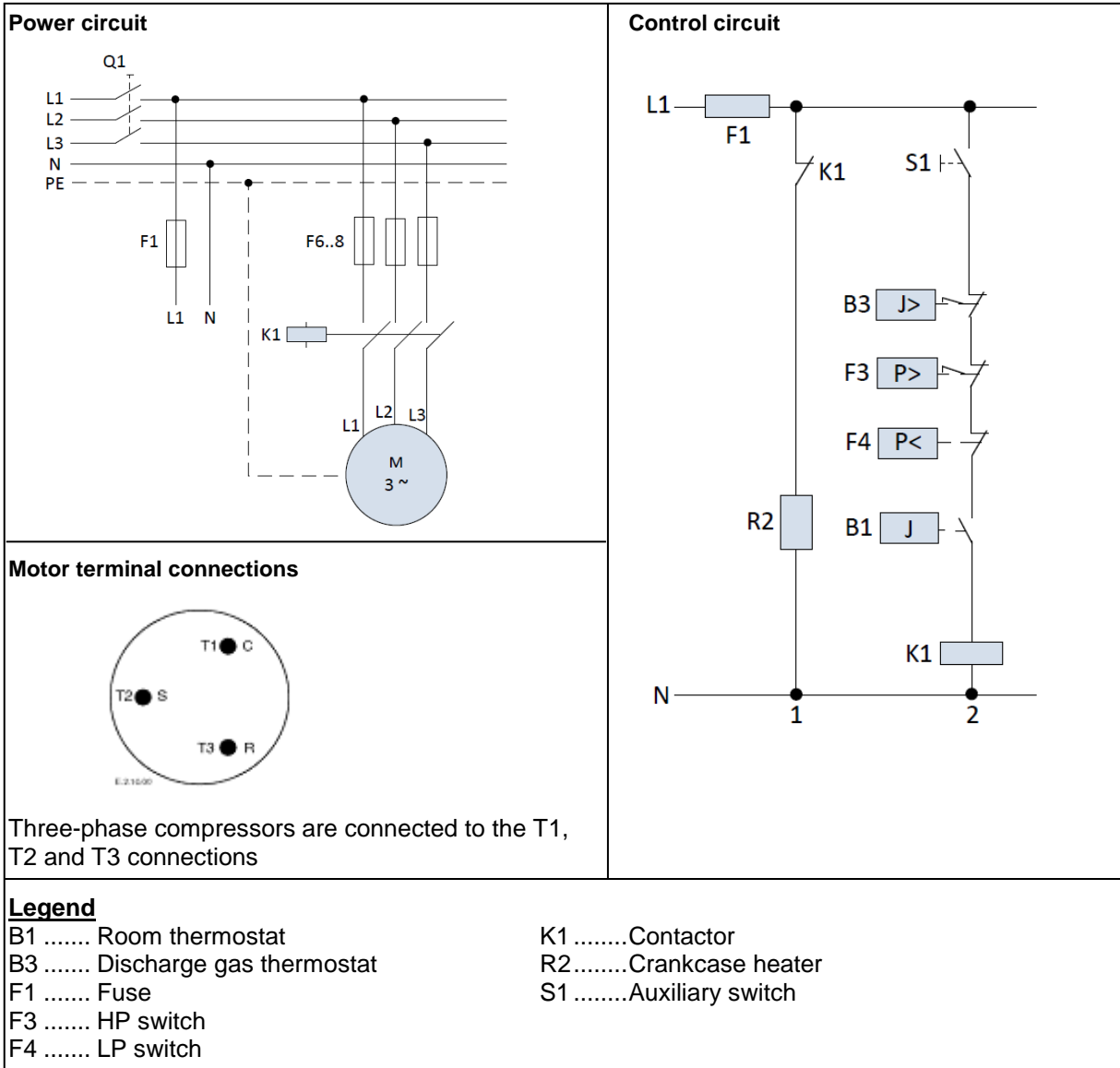


Figure 15

Copeland Scroll™

Digital

4.2.1 Terminal box

The standard terminal box is IP21 for all models with internal motor protection (TF*/PF*), enclosure class according to IEC 60034-5.

Cable glands have an influence on the protection class of the terminal box. It is strongly recommended to use appropriate cable glands in order to reach the rated protection class. We advise installers/service providers to pay attention to this aspect every time they install or replace a Copeland Scroll compressor and to use cable glands according to EN 50262 or any other relevant standard of application in their country/region. Examples of correct electrical installations are shown in **Figures 16 & 17** below.

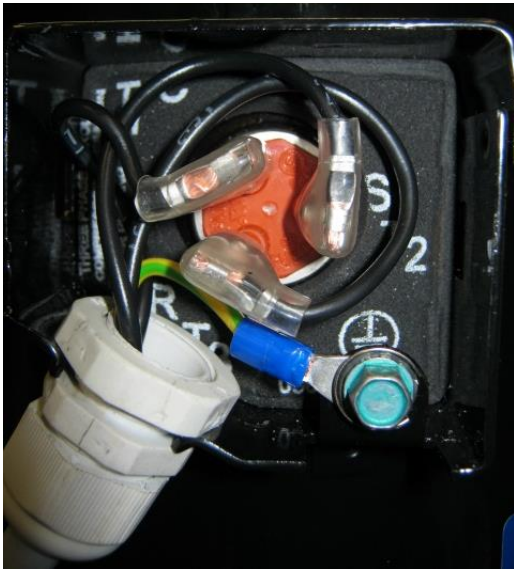


Figure 16: Correct electrical installation with cable glands for IP21 T-box (compressors ZRD36KRE & ZRD48KRE)



Figure 17: Correct electrical installation with cable glands for IP21 T-box (compressors ZRD61KRE to ZRD92KRE)

4.2.2 Motor winding

Compressor model ZRD36KRE is available in single-phase (PF*). The other ZRD*KRE models are offered with three-phase (TF*) induction motors. Single-phase motors need a run capacitor while all three-phase motors are connected in star.

The motor insulation material is class "B" for compressor models covered in these guidelines. This is according to VDE 0530, IEC 34-18-1 or DIN 57530.

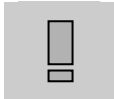
4.2.3 Motor protection

Conventional inherent internal line break motor protection is provided for all ZRD*KRE compressor models.

4.2.4 Protection devices

Independently from the internal motor protection, fuses must be installed before the compressor. The selection of fuses has to be carried out according to VDE 0635, DIN 57635, IEC 269-1 or EN 60-269-1.

4.2.5 Crankcase heaters



IMPORTANT

Oil dilution! Bearing malfunction! Turn the crankcase heater on 12 hours before starting the compressor.

A crankcase heater is used to prevent refrigerant migrating into the shell during standstill periods. Due to the Copeland scroll's inherent ability to handle liquid refrigerant in flooded conditions a crankcase heater is not required when the system charge does not exceed the charge limits shown in **Table 5**.

Compressor	Refrigerant charge limit
ZRD36KRE & ZRD48KRE	3.6 kg
ZRD61KRE to ZRD92KRE	4.5 kg

Table 5

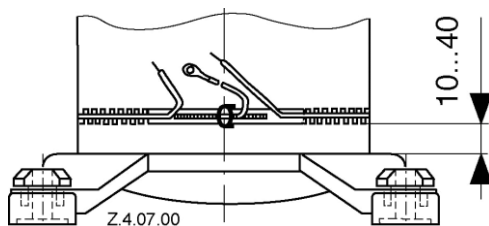


Figure 18: Crankcase heater location

If a crankcase heater is fitted it is recommended that the heater be turned on for a **minimum of 12 hours** prior to starting the compressor. This will prevent oil dilution and bearing stress on initial start-up. The crankcase heater must remain energised during compressor off cycles.

The crankcase heater must be mounted below the oil Schraeder valve located on the bottom shell (see **Figure 18**).

The crankcase heater should be wired in such a way that it is turned on whenever the compressor is switched off.

4.3 Pressure safety controls

4.3.1 IPR valve (Internal Pressure Relief valve)

The internal pressure relief valves for all ZRD*KRE compressors are located between the high and low sides of the compressor. They are designed to open when the discharge-to-suction differential pressure exceeds 26-31 bar. When the valve opens, hot discharge gas is routed back into the area of the motor protector to cause a trip. During developmental blocked fan testing, it is sometimes noted that the valve opens, but the compressor does not shut off while the discharge pressure continues to climb. This condition is normally caused by floodback and may be corrected by using a more restrictive expansion device or reducing the refrigerant charge.

4.3.2 High-pressure control

The cut-out setting for the high-pressure control shall be determined according to regional standards, usually EN 378, part 2 in Europe.

The maximum pressure value for the individual compressor type, PS high side, is printed on the nameplate of the compressor.

The high-pressure cut-out should have a manual reset feature for the highest level of system protection.

Copeland Scroll™

Digital

4.3.3 Low-pressure control

The minimum cut-out setting shall be determined according to the refrigerant and to the allowed operation envelope – see technical data in Select software at www.climate.emerson.com/en-gb. For example, a minimum cut-out setting of 0.5 bar(g) is required for ZR compressors using R513A.

The low-pressure cut-out should have a manual reset feature for the highest level of system protection.

4.4 Discharge temperature protection

Internal discharge temperatures can reach unacceptable values under some extreme operating conditions (such as operation outside the approved application limits, improper control operation or loss of refrigerant injection charge). This could cause compressor damage.

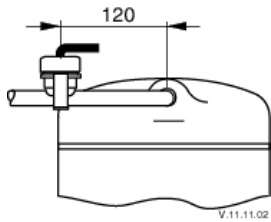




Discharge gas temperature protection is required for any application with Copeland brand compressors in order to guarantee positive compressor protection. This protection must not be used as an operating envelope controller but as a safety device.

Compressor models ZRD36KRE and ZRD48KRE: These compressors have no internal temperature protection. Therefore they are supplied with a discharge temperature thermostat.

The discharge thermostat dedicated to R450A and R513A has a cut-out setting of $130^{\circ}\text{C} \pm 4\text{K}$ with closing at $101^{\circ}\text{C} \pm 8\text{K}$ and should be installed approximately 120 mm from the discharge valve outlet (see assembly instructions below).

To ensure proper functioning and to avoid false readings, the discharge line thermostat must be installed and insulated according to the procedure and recommendations hereunder.

Assembly of the discharge line thermostat

<ul style="list-style-type: none">Install the discharge line thermostat on the discharge tube 120 mm from top cap.	 <p>V.11.11.02</p>
<ul style="list-style-type: none">Snap the retainer clip over the tube and onto the thermostat.The thermostat should be placed on the discharge tube so that its body is in upward position on a horizontal tube installation.Ensure that the thermostat is not tilted.	
<ul style="list-style-type: none">The wire must not be in contact with the top cap of the compressor or the discharge tube. Care should be taken to route wires so that they do not come into contact with sharp objects.	
<ul style="list-style-type: none">To avoid any impact on tripping temperature by the ambient, the discharge line thermostat must be insulated.Wrap thermal insulation around the pipe left and right of the thermostat and secure it with plastic straps.	
<ul style="list-style-type: none">Wrap a second layer of insulation around the first one and around the thermostat, and secure it with plastic straps.	

Compressors ZRD61KRE to ZRD92KRE: These compressors are equipped with a discharge temperature sensor (NTC thermistor) embedded in the top cap of the compressor. The output of the NTC thermistor is used in the protection module of the digital Scroll controller. The resistance curve for the NTC thermistor is provided in **Table 6** hereunder.

Temperature (°C)	Resistance (kOhm)	Temperature (°C)	Resistance (kOhm)
-40	2889.60	75	12.73
-35	2087.22	80	10.79
-30	1522.20	85	9.20
-25	1121.44	90	7.87
-20	834.72	95	6.77
-15	627.28	100	5.85
-10	475.74	105	5.09
-5	363.99	110	4.45
0	280.82	115	3.87
5	218.41	120	3.35
10	171.17	125	2.92
15	135.14	130	2.58
20	107.44	135	2.28
25	86.00	140	2.02
30	69.28	145	1.80
35	56.16	150	1.59
40	45.81	155	1.39
45	37.58	160	1.25
50	30.99	165	1.12
55	25.68	170	1.01
60	21.40	175	0.92
65	17.91	180	0.83
70	15.07		

Table 6: Digital Scroll thermistor temperature / resistance values

4.5 High potential testing



WARNING

Conductor cables! Electrical shock! Shut off power supply before high-potential testing.



CAUTION

Internal arcing! Motor destruction! Do not carry out high-voltage or insulation tests if the compressor housing is under vacuum.

Emerson subjects all scroll compressors to a high-voltage test after final assembly. Each motor phase winding is tested, according to EN 0530 or VDE 0530 part 1, at a differential voltage of 1000V plus twice the nominal voltage. Since high-voltage tests lead to premature ageing of the winding insulation further additional tests of that nature are not recommended.

If it has to be done for any reason, a lower voltage must be used. Disconnect all electronic devices, eg, motor protection module, fan speed control, etc prior to testing.

5 Starting up & operation



WARNING

Diesel effect! Compressor destruction! The mixture of air and oil at high temperature can lead to an explosion. Avoid operating with air.



IMPORTANT

Oil dilution! Bearing malfunction! Turn the crankcase heater on 12 hours before starting the compressor.

5.1 Strength pressure test

The compressor has been strength-tested in the factory. It is not necessary for the customer to strength- or leak-test the compressor again although the compressor will normally be exposed to the testing made as part of system testing.

5.2 Tightness/pressure test



WARNING

High pressure! Personal injuries! Consider personal safety requirements and refer to test pressures prior to test.



WARNING

System explosion! Personal injuries! DO NOT USE other industrial gases.



CAUTION

System contamination! Bearing malfunction! Use only dry nitrogen or dried air for pressure testing.

If using dry air do not include the compressor in the pressure test – isolate it first. Never add refrigerant to the test gas (as leak indicator).

5.3 System evacuation

Before the installation is put into commission, it has to be evacuated with a vacuum pump. Proper evacuation reduces residual moisture to 50 ppm. During the initial procedure, suction and discharge shutoff valves on the compressor remain closed. The installation of adequately sized access valves at the furthest point from the compressor in the suction and liquid lines is advisable. Pressure must be measured using a vacuum pressure gauge on the access valves and not on the vacuum pump; this serves to avoid incorrect measurements resulting from the pressure gradient along the connecting lines to the pump.

Evacuating the system only on the suction side of a Scroll compressor can occasionally result in a temporary no start condition for the compressor. The reason for this is that the floating seal could axially seal with the scroll set, with the higher pressure on the floating seal. Consequently, until the pressures equalise, the floating seal and scroll set can be held tightly together. The installation should be evacuated down to 0.3 mbar.

Subsequently, the factory holding charge of dry air in the compressor is released to the ambient. The shut-off valves are opened and the installation, including the compressor, are once more evacuated as described after the system has been recharged with dry nitrogen. Highest demands are placed on the leak proof design of the installation and on leak testing methods (please refer to EN 378).

5.4 Preliminary checks – Pre-starting

Discuss details of the installation with the installer. If possible, obtain drawings, wiring diagrams, etc.

It is ideal to use a check-list but always check the following:

- Visual check of the electrics, wiring, fuses etc.
- Visual check of the plant for leaks, loose fittings such as TXV bulbs etc.
- Compressor oil level
- Calibration of HP & LP switches and any pressure actuated valves

- Setting and operation of all safety features and protection devices
- All valves in the correct running position
- Pressure and compound gauges fitted
- Correctly charged with refrigerant
- Compressor electrical isolator location & position

5.5 Charging procedure



CAUTION

Low suction pressure operation! Compressor damage! Do not operate with a restricted suction. Do not operate with the low-pressure cut-out bridged. Do not operate compressor without enough system charge to maintain at least 0.3 bar suction pressure. Allowing pressure to drop below 0.3 bar for more than a few seconds may overheat scrolls and cause early drive bearing damage.

The system should be liquid-charged through the liquid-receiver shut-off valve or through a valve in the liquid line. The use of a filter drier in the charging line is highly recommended. Because scrolls have discharge check valves, systems should be liquid-charged on both the high and low sides simultaneously to ensure a positive refrigerant pressure is present in the compressor before it runs. The majority of the charge should be placed in the high side of the system to prevent bearing washout during first-time start on the assembly line.

5.6 Initial start-up



CAUTION

Oil dilution! Bearing malfunction! It is important to ensure that new compressors are not subjected to liquid abuse. Turn the crankcase heater on 12 hours before starting the compressor.



CAUTION

High discharge pressure operation! Compressor damage! Do not use the compressor to test opening set point of high-pressure cut-out. Bearings are susceptible to damage before they have had several hours of normal running in.

Liquid and high pressure loads could be detrimental to new bearings. It is therefore important to ensure that new compressors are not subjected to liquid abuse and high-pressure run tests. It is not good practice to use the compressor to test the high-pressure switch function on the production line. Switch function can be tested with nitrogen prior to installation and wiring can be checked by disconnecting the high-pressure switch during the run test.

5.7 Rotation direction

Copeland Scroll compressors, like several other types of compressors, will only compress in one rotational direction. Three-phase compressors will rotate in either direction depending upon phasing of the power. Since there is a 50-50 chance of connecting power in such a way as to cause rotation in the reverse direction, **it is important to include notices and instructions in appropriate locations on the equipment to ensure proper rotation direction is achieved when the system is installed and operated.**

Observing that suction pressure drops and discharge pressure rises when the compressor is energized allows verification of proper rotation direction. There is no negative impact on durability caused by operating three-phase Copeland Scroll compressors in the reversed direction for a short period of time (under one hour) but oil may be lost. Oil loss can be prevented during reverse rotation if the tubing is routed at least 15 cm above the compressor. After several minutes of operation in reverse, the compressor's protection system will trip due to high motor temperature. The operator will notice a lack of cooling. However, if allowed to repeatedly restart and run in reverse without correcting the situation, the compressor will be permanently damaged.

All three-phase scroll compressors are identically wired internally. Therefore, once the correct phasing is determined for a specific system or installation, connecting properly phased power leads to the identified compressor terminals will ensure proper rotation direction.

Copeland Scroll™

Digital

5.8 Pressure fluctuations

During the normal operation of the Digital Scroll compressor, there is a fluctuation in the suction and discharge pressures. This fluctuation will be in the range of 2 to 3.5 bar. During the unloaded state, the discharge pressure will start to drop and the suction pressure will start to rise. This is normal. This pressure fluctuation has no effect on the reliability of any system component.

NOTE: All ZRD*KRE compressors require a minimum 3.5 bar differential between the suction pressure and the discharge pressure to unload properly.

5.9 Starting sound

During the very brief start-up, a clicking sound is audible, resulting from initial contacting of the spirals and is normal. Due to the design of the Copeland scroll compressors, the internal compression components always start unloaded even if system pressures are not balanced. In addition, since internal compressor pressures are always balanced at start-up, low-voltage starting characteristics are excellent for Copeland scroll compressors.

5.10 Deep vacuum operation



CAUTION

Vacuum operation! Compressor damage! Scroll compressors should never be used to evacuate a refrigeration or air-conditioning system.



CAUTION

Vacuum operation! Bearing damage! Vacuum operation causes damage to the drive bearing of the scrolls. Copeland Scroll compressors are able to pull vacuum very quickly and this should be avoided.

The scroll compressor can be used to pump down refrigerant in a unit as long as the pressures remain within the operating envelope. Prolonged operation at low suction pressures will result in overheating of the scrolls and permanent damage to the compressor drive bearing. ZRD scrolls incorporate internal low vacuum protection; the floating seal unloads when the pressure ratio exceeds approximately 10:1.

5.11 Shell temperature

The top shell and discharge line can briefly but repeatedly reach temperatures above 177°C if the compressor cycles on its internal protection devices. This only happens under rare circumstances and can be caused by the failure of system components such as the condenser or evaporator fan or loss of charge and depends upon the type of expansion control. Care must be taken to ensure that wiring or other materials that could be damaged by these temperatures do not come in contact with the shell.

5.12 Pump-down cycle

To control refrigerant migration a pump-down system could be used. The discharge check valve with a refrigeration scroll compressor is designed for low leak back and will allow the use of a pump-down without the addition of an external check valve.

If the compressor is stationary for prolonged periods, refrigerant could migrate into the compressor and therefore a crankcase heater must be installed.

If cold air is constantly drawn over the compressor this could make the crankcase heater ineffective and therefore a pump-down system is recommended.

For ZRD*KRE models care should be taken because the scroll sets will unload at a pressure ratio of approximately 10:1. If the unit fails to pump down the pump-down pressure should be reset to a higher value. The low-pressure control differential for all models needs to be reviewed since a relatively lower volume of gas will re-expand from the discharge plenum of the compressor into the low side on shutdown.

5.13 Minimum run time

Emerson recommends a maximum of 10 starts per hour. There is no minimum off time because scroll compressors start unloaded even if the system has unbalanced pressures. The most critical

consideration is the minimum run time required to return oil to the compressor after start-up. To establish the minimum run time obtain a sample compressor equipped with a sight tube (available from Emerson) and install it in a system with the longest connecting lines that are approved for the system. The minimum on time becomes the time required for oil lost during compressor start-up to return to the compressor sump and restore a minimal oil level that will ensure oil pick-up through the crankshaft. Cycling the compressor for a shorter period than this, for instance to maintain very tight temperature control, will result in progressive loss of oil and damage to the compressor.

5.14 Sound characteristics

For the Copeland Scroll Digital compressor the sound spectrum of the loaded state and that of the unloaded state are quite different. The unloaded sound power is normally 2 dB(A) higher than the loaded sound power. If sound variability is an issue, we recommend the use of a sound cover.

5.15 Shut-off sound

Scroll compressors incorporate a device that minimizes reverse rotation. The residual momentary reversal of the scrolls at shut off will cause a clicking sound, but it is entirely normal and has no effect on compressor durability.

5.16 Frequency

There is no general release of standard Copeland scroll compressors for use with variable speed AC drives. There are numerous issues that must be considered when applying Scroll compressors with variable speed, including system design, inverter selection, and operating envelopes at various conditions. Only frequencies from 50 Hz to 60 Hz are acceptable. Operation outside this frequency range is possible but should not be done without specific Application Engineering review. The voltage must vary proportionally to the frequency.

If the inverter can only deliver a maximum voltage of 400V, the amps will increase when the speed is above 50 Hz, and this may give rise to nuisance tripping if operation is near the maximum power limit and/or compressor discharge temperature limit.

5.17 Oil level

The oil level should be maintained at mid-point of the sight glass. If an oil regulator is used the level should be set within the top half of the sight glass.

5.18 Digital system control

Due to the pulsing characteristic of Copeland Scroll Digital compressors superheat control needs to be performed by qualified solutions in order to ensure the stability, reliability and good performance of the system.

NOTE: For further information about these solutions see Technical Information C7.8.3 "Refrigeration – Controlling Digital Scroll".

5.19 Power factor

During the loaded state, when the Copeland Scroll Digital compressor operates at full capacity, the power factor is almost the same as with a standard scroll. However, when the scrolls are unloaded, the power factor is lower.

6.1 Exchanging the refrigerant

Qualified refrigerants and oils are given in section 2.5.1.

It is not necessary to replace the refrigerant with new unless contamination due to an error such as topping up the system with an incorrect refrigerant is suspected. To verify correct refrigerant composition, a sample can be taken for chemical analysis. A check can be made during shut down by comparing the refrigerant temperature and pressure using precision measurements at a location in the system where liquid and vapour phases are present and when the temperatures have stabilised.

In the event that the refrigerant needs replacing, the charge should be recovered using a suitable recovery unit.

6.2 Rotalock valves

Rotalock valves should be periodically retorqued to ensure that leak tightness is maintained.

6.3 Replacing a compressor



CAUTION

Inadequate lubrication! Bearing destruction! Exchange the accumulator after replacing a compressor with a burned out motor. The accumulator oil return orifice or screen may be plugged with debris or may become plugged. This will result in starvation of oil to the new compressor and a second failure.

6.3.1 Compressor replacement

In the case of a motor burnout, the majority of contaminated oil will be removed with the compressor. The rest of the oil is cleaned through the use of suction and liquid line filter driers. A 100% activated alumina suction line filter drier is recommended but must be removed after 72 hours. **It is highly recommended that the suction accumulator be replaced if the system contains one.** This is because the accumulator oil return orifice or screen may be plugged with debris or may become plugged shortly after a compressor failure. This will result in starvation of oil to the replacement compressor and a second failure. When a single compressor or tandem is exchanged in the field, it is possible that a major portion of the oil may still be in the system. While this may not affect the reliability of the replacement compressor, the extra oil will add to rotor drag and increase power usage.

6.3.2 Start-up of a new or replacement compressor

Rapid charging only on the suction side of a scroll-equipped system or condensing unit can occasionally result in a temporary no start condition for the compressor. The reason for this is that, if the flanks of the compressor happen to be in a sealed position, rapid pressurisation of the low side without opposing high-side pressure can cause the scrolls to seal axially. As a result, until the pressures eventually equalise, the scrolls can be held tightly together preventing rotation. The best way to avoid this situation is to charge on both the high and low sides simultaneously at a rate which does not result in axial loading of the scrolls.

A minimum suction pressure of 1.75 bar must be maintained during charging. Allowing pressure to drop below 0.3 bar for more than a few seconds may overheat scrolls and cause early drive bearing damage. Never install a system in the field and leave it unattended when it has no charge, a holding charge, or with the service valves closed without securely electrically locking out the system. This will prevent unauthorised personnel from accidentally operating the system and potentially ruining the compressor by operating with no refrigerant flow. **Do not start the compressor while the system is in a deep vacuum.** Internal arcing may occur when a scroll compressor is started in a vacuum causing burnout of the internal lead connections.

6.4 Lubrication and oil removal



CAUTION

Chemical reaction! Compressor destruction! Do not mix up ester oils with mineral oil and/or alkyl benzene when used with chlorine-free (HFC) refrigerants.

The compressor is supplied with an initial oil charge. The standard oil charge for use with refrigerants R450A and R513A is a polyolester (POE) lubricant Emkarate RL 32 3MAF. In the field the oil level could be topped up with Mobil EAL Arctic 22 CC if 3MAF is not available. See nameplate for original oil charge shown in litres. A field recharge is from 0.05 to 0.1 litre less.

One disadvantage of POE is that it is far more hygroscopic than mineral oil (see **Figure 18**). Only brief exposure to ambient air is needed for POE to absorb sufficient moisture to make it unacceptable for use in a refrigeration system. Since POE holds moisture more readily than mineral oil it is more difficult to remove it through the use of vacuum. Compressors supplied by Emerson contain oil with low moisture content, and it may rise during the system assembling process. Therefore, it is recommended that a properly sized filter drier is installed in all POE systems. This will maintain the moisture level in the oil to less than 50 ppm. If oil is charged into a system, it is recommended to use POE with a moisture content no higher than 50 ppm.

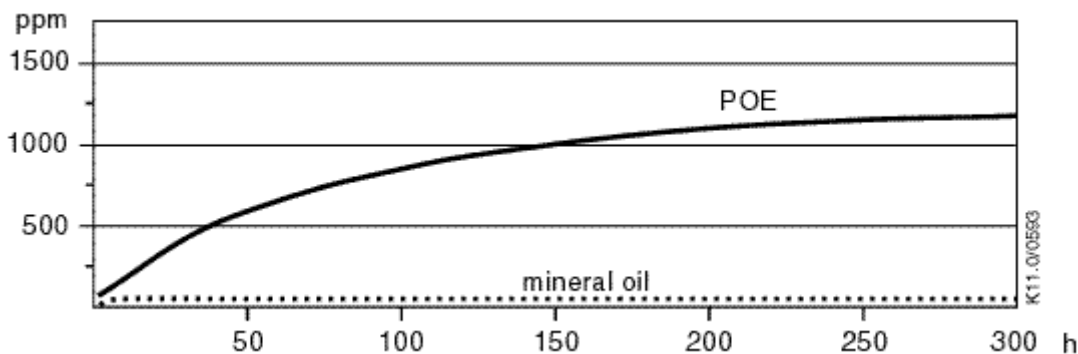


Figure 18: Absorption of moisture in ester oil in comparison to mineral oil in ppm by weight at 25°C and 50% relative humidity (h=hours)

If the moisture content of the oil in a refrigeration system reaches unacceptably high levels, corrosion and copper plating may occur. The system should be evacuated down to 0.3 mbar or lower. If there is uncertainty as to the moisture content in the system, an oil sample should be taken and tested for moisture. Sight glass/moisture indicators currently available can be used with the HFC refrigerants and lubricants; however, the moisture indicator will just show the moisture content of the refrigerant. The actual moisture level of POE would be higher than the sight glass specifies. This is due to the high hygroscopicity of the POE oil. To determine the actual moisture content of the lubricant, samples have to be taken from the system and analysed.

6.5 Oil additives

Although Emerson cannot comment on any specific product, from our own testing and past experience, we do not recommend the use of any additives to reduce compressor bearing losses or for any other purpose. Furthermore, the long term chemical stability of any additive in the presence of refrigerant, low and high temperatures, and materials commonly found in refrigeration systems is complex and difficult to evaluate without rigorously controlled chemical laboratory testing. The use of additives without adequate testing may result in malfunction or premature failure of components in the system and, in specific cases, in voiding the warranty on the component.

Copeland Scroll™

Digital

6.6 Unbrazing system components



WARNING

Explosive flame! Burning! Oil-refrigerant mixtures are highly flammable. Remove all refrigerant before opening the system. Avoid working with an unshielded flame in a refrigerant charged system.

Before opening up a system it is important to remove all refrigerant from both the high and low sides of the system. If the refrigerant charge is removed from a scroll-equipped unit from the high side only, it is possible for the scrolls to seal, preventing pressure equalization through the compressor. This may leave the low side shell and suction line tubing pressurized. If a brazing torch is then applied to the low side while the low side shell and suction line contain pressure, the pressurized refrigerant and oil mixture could ignite when it escapes and contacts the brazing flame. To prevent this occurrence, it is important to check both the high and low sides with manifold gauges before unbrazing. Instructions should be provided in appropriate product literature and assembly (line repair) areas. If compressor removal is required, the compressor should be cut out of system rather than unbrazed.

7 Dismantling & disposal



Removing oil and refrigerant:

- Do not disperse in the environment.
- Use the correct equipment and method of removal.
- Dispose of oil and refrigerant according to national legislation and regulations.
- Dispose of compressor according to national legislation and regulations.

DISCLAIMER

1. The contents of this publication are presented for informational purposes only and are not to be construed as warranties or guarantees, express or implied, regarding the products or services described herein or their use or applicability.
2. Emerson Climate Technologies GmbH and/or its affiliates (collectively "Emerson"), as applicable, reserve the right to modify the design or specifications of such products at any time without notice.
3. Emerson does not assume responsibility for the selection, use or maintenance of any product. Responsibility for proper selection, use and maintenance of any Emerson product remains solely with the purchaser or end user.
4. Emerson does not assume responsibility for possible typographic errors contained in this publication.

BENELUX

Josephinastraat 19
NL-6462 EL Kerkrade
Tel: +31 45 535 06 73
Fax: +31 45 535 06 71
benelux.sales@emerson.com

GERMANY, AUSTRIA & SWITZERLAND

Senefelder Str. 3
DE-63477 Maintal
Tel: +49 6109 605 90
Fax: +49 6109 60 59 40

FRANCE, GREECE & MAGHREB

8, Allée du Moulin Berger
FR-69134 Ecully Cédex, Technoparc - CS 90220
Tel: +33 4 78 66 85 70
Fax: +33 4 78 66 85 71

ITALY

Via Ramazzotti, 26
IT-21047 Saronno (VA)
Tel: +39 02 96 17 81
Fax: +39 02 96 17 88 88
italy.sales@emerson.com

SPAIN & PORTUGAL

C/ Pujades, 51-55 Box 53
ES-08005 Barcelona
Tel: +34 93 412 37 52
iberica.sales@emerson.com

CZECH REPUBLIC

Hajkova 22
CZ - 133 00 Prague
Tel: +420 733 161 651
Fax: +420 271 035 655
Pavel.Sudek@emerson.com

ROMANIA & BULGARIA

Parcul Industrial Tetarom 2
Emerson Nr. 4 400641 Cluj-Napoca
Tel: +40 374 13 23 50
Fax: +40 374 13 28 11
ro-bg.sales@emerson.com

ASIA PACIFIC

Suite 2503-8, 25/F, Exchange Tower
33 Wang Chiu Road, Kowloon Bay
Kowloon, Hong Kong
Tel: +852 2866 3108
Fax: +852 2520 6227

UK & IRELAND

Unit 17, Theale Lakes Business Park
Reading, Berkshire RG7 4GB
Tel: +44 1189 83 80 00
Fax: +44 1189 83 80 01
uk.sales@emerson.com

SWEDEN, DENMARK, NORWAY & FINLAND

Pascalstr. 65
DE-52076 Aachen
Tel: +49 2408 929 0
Fax: +49 2408 929 525
nordic.sales@emerson.com

EASTERN EUROPE & TURKEY

Pascalstr. 65
DE-52076 Aachen
Tel: +49 2408 929 0
Fax: +49 2408 929 525
easterneurope.sales@emerson.com

POLAND

Szturmowa 2
PL-02678 Warsaw
Tel: +48 22 458 92 05
Fax: +48 22 458 92 55
poland.sales@emerson.com

RUSSIA & CIS

Dubininskaya 53, bld. 5
RU-115054, Moscow
Tel: +7 - 495 - 995 95 59
Fax: +7 - 495 - 424 88 50
ECT.Holod@emerson.com

BALKAN

Selska cesta 93
HR-10 000 Zagreb
Tel: +385 1 560 38 75
Fax: +385 1 560 38 79

MIDDLE EAST & AFRICA

PO Box 26382
Jebel Ali Free Zone - South, Dubai - UAE
Tel: +971 4 811 81 00
Fax: +971 4 886 54 65
mea.sales@emerson.com

For more details, see www.climate.emerson.com/en-gb
Connect with us: facebook.com/EmersonCommercialResidentialSolutions



Emerson Commercial & Residential Solutions
Emerson Climate Technologies GmbH - Pascalstrasse 65 - 52076 Aachen, Germany
Tel. +49 (0) 2408 929 0 - Fax: +49 (0) 2408 929 570 - Internet: www.climate.emerson.com/en-gb

The Emerson logo is a trademark and service mark of Emerson Electric Co. Emerson Climate Technologies Inc. is a subsidiary of Emerson Electric Co.
Copeland is a registered trademark and Copeland Scroll is a trademark of Emerson Climate Technologies Inc. All other trademarks are property of their respective owners.
Emerson Climate Technologies GmbH shall not be liable for errors in the stated capacities, dimensions, etc., as well as typographic errors. Products, specifications, designs and technical data contained in this document are subject to modification by us without prior notice. Illustrations are not binding.

© 2019 Emerson Climate Technologies, Inc.

EMERSON. CONSIDER IT SOLVED.™