

Oil Separator Series OS

Features

- Three different construction styles:
 - Hermetic
 - Top flange
 - Bottom flange with support bracket
- Stainless steel needle valve and floater
- Permanent magnet to catch iron particles out of the system
- Corrosion-resistant epoxy powder coating
- ODF Copper fittings for easy brazing
- Temperature range TS: -10°C ... +150°C
- Max. allowable pressure PS: 31 bar
- **CE** marking according PED

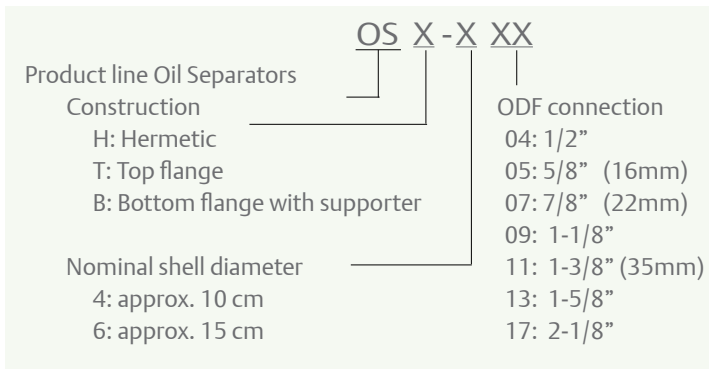


OSH



OST

Type Code



OSB

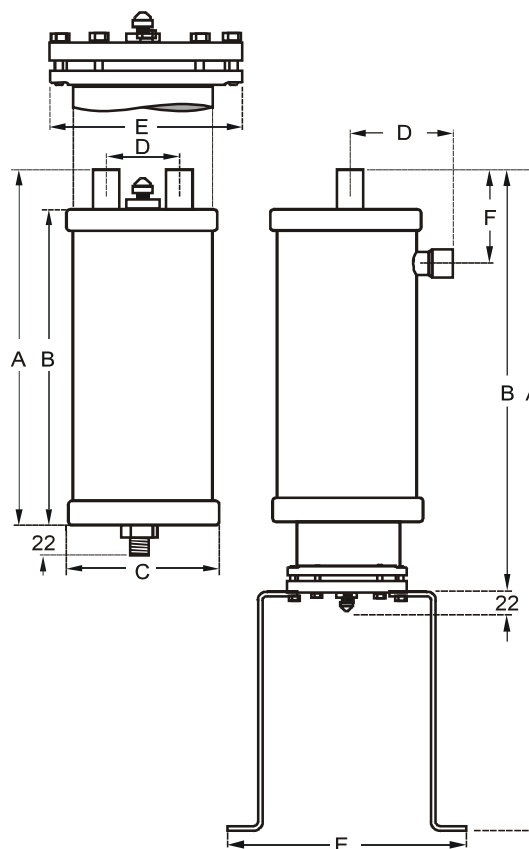
Selection Table

| Type | Part No. | Connection | | Conformity Assessment Category | Conformity Assessment Procedure | Nominal Capacity (kW) | | | | | | | Volume (l) | |
|---------|----------|------------|--------|--------------------------------|---------------------------------|-----------------------|-------|-------------|-------|-------|---------|------|------------|------|
| | | (mm) | (inch) | | | R22/R407C | R134A | R404A/ R507 | R448A | 449A | R1234ze | 450A | | 513A |
| OSH-404 | 881 598 | | 1/2" | Cat. I | Module A* | 7.0 | 4.9 | 7.3 | 7.4 | 7.9 | 3.9 | 4.6 | 4.7 | 2.0 |
| OSH-405 | 881 599 | 16 | 5/8" | | | 18.7 | 13.1 | 19.4 | 18.8 | 20.1 | 9.9 | 11.7 | 12.1 | 2.4 |
| OSH-407 | 881 600 | 22 | 7/8" | | | 28.1 | 19.7 | 29.0 | 29.9 | 32.1 | 15.8 | 18.6 | 19.2 | 2.8 |
| OSH-409 | 881 792 | | 1-1/8" | | | 37.4 | 26.2 | 38.7 | 40.9 | 43.9 | 21.6 | 25.4 | 26.3 | 3.0 |
| OSH-411 | 881 794 | 35 | 1-3/8" | | | 46.8 | 32.8 | 48.4 | 49.3 | 52.9 | 26.0 | 30.7 | 31.7 | 3.6 |
| OSH-413 | 881 856 | | 1-5/8" | | | 65.5 | 45.9 | 67.8 | 68.7 | 73.6 | 36.2 | 42.7 | 44.1 | 3.6 |
| OSH-611 | 881 940 | 35 | 1-3/8" | Cat. II | Module D1 | 51.5 | 36.1 | 53.3 | 60.6 | 65.0 | 32.0 | 37.7 | 38.9 | 6.5 |
| OSH-613 | 881 953 | | 1-5/8" | | | 65.5 | 45.9 | 67.8 | 71.7 | 76.8 | 37.8 | 44.5 | 46.0 | 7.9 |
| OSH-642 | 889 022 | 42 | | | | 65.5 | 45.9 | 67.8 | - | - | - | - | - | 7.9 |
| OSH-617 | 881 970 | 54 | 2-1/8" | | | 105.3 | 73.8 | 108.9 | 108.7 | 116.5 | 57.4 | 67.5 | 69.8 | 7.9 |
| OST-404 | 881 860 | | 1/2" | Cat. I | Module A* | 7.0 | 4.9 | 7.3 | 7.4 | 7.9 | 3.9 | 4.6 | 4.7 | 1.8 |
| OST-405 | 881 861 | 16 | 5/8" | | | 18.7 | 13.1 | 19.4 | 18.8 | 20.1 | 9.9 | 11.7 | 12.1 | 2.6 |
| OST-407 | 881 862 | 22 | 7/8" | | | 28.1 | 19.7 | 29.0 | 29.9 | 32.1 | 15.8 | 18.6 | 19.2 | 3.2 |
| OST-409 | 881 863 | | 1-1/8" | | | 37.4 | 26.2 | 38.7 | 40.9 | 43.9 | 21.6 | 25.4 | 26.3 | 3.8 |
| OST-411 | 881 938 | 35 | 1-3/8" | | | 46.8 | 32.8 | 48.4 | 49.3 | 52.9 | 26.0 | 30.7 | 31.7 | 3.8 |
| OST-413 | 881 939 | | 1-5/8" | | | 65.5 | 45.9 | 67.8 | 68.7 | 73.6 | 36.2 | 42.7 | 44.1 | 3.8 |
| OSB-613 | 881 971 | | 1-5/8" | Cat. II | Module D1 | 65.5 | 45.9 | 67.8 | 71.7 | 76.8 | 37.8 | 44.5 | 46.0 | 7.8 |
| OSB-617 | 881 972 | 54 | 2-1/8" | | | 105.3 | 73.8 | 108.9 | 108.7 | 116.5 | 57.4 | 67.5 | 69.8 | 7.8 |

Note: *) Applied higher module as required

Dimensions (mm)

| Type | Part No. | Connection ODF | A | B | C | D | E | F |
|---------|----------|----------------|-----|-----|-----|-----|-----|-----|
| OSH-404 | 881 598 | 1/2" | 274 | 249 | 102 | 48 | - | - |
| OSH-405 | 881 599 | 5/8" | 335 | 297 | 102 | 48 | - | - |
| OSH-407 | 881 600 | 7/8" | 381 | 345 | 102 | 48 | - | - |
| OSH-409 | 881 792 | 1-1/8" | 413 | 369 | 102 | 48 | - | - |
| OSH-411 | 881 794 | 1-3/8" | 497 | 449 | 102 | 48 | - | - |
| OSH-413 | 881 856 | 1-5/8" | 505 | 449 | 102 | 48 | - | - |
| OSH-611 | 881 940 | 1-3/8" | 400 | 356 | 153 | 76 | - | - |
| OSH-613 | 881 953 | 1-5/8" | 483 | 432 | 153 | 76 | - | - |
| OSH-617 | 881 970 | 2-1/8" | 495 | 432 | 153 | 76 | - | - |
| OST-404 | 881 860 | 1/2" | 266 | 237 | 102 | 48 | 140 | - |
| OST-405 | 881 861 | 5/8" | 381 | 339 | 102 | 48 | 140 | - |
| OST-407 | 881 862 | 7/8" | 456 | 415 | 102 | 48 | 140 | - |
| OST-409 | 881 863 | 1-1/8" | 540 | 492 | 102 | 48 | 140 | - |
| OST-411 | 881 938 | 1-3/8" | 543 | 492 | 102 | 48 | 140 | - |
| OST-413 | 881 939 | 1-5/8" | 552 | 492 | 102 | 48 | 140 | - |
| OSB-613 | 881 971 | 1-5/8" | 740 | 511 | 153 | 111 | 273 | 137 |
| OSB-617 | 881 972 | 2-1/8" | 745 | 516 | 153 | 118 | 273 | 141 |



ALCO CONTROLS is not to be held responsible for erroneous literature regarding capacities, dimensions, applications, etc. stated herein. Products, specifications and data in this literature are subject to change without notice. The information given herein is based on technical data and tests which ALCO CONTROLS believes to be reliable and which are in compliance with technical knowledge of today. It is intended only

for use by persons having the appropriate technical knowledge and skills, at their own discretion and risk. Since conditions of use are outside of ALCO'S control we can not assume any liability for results obtained or damages occurred due to improper application.

This document replaces all earlier versions.

| | | | |
|---|----------------------------------|--------------------------------------|-----------------------------------|
| Emerson Electric GmbH & Co. OHG ALCO CONTROLS Heerstraße 111 D-71332 Waiblingen Germany Phone...49-(0)7151-509-0 Fax ...49-(0)7151-509-200 www.emersonclimate.eu | Benelux | Phone.: +31 (0)773 240 234 | Fax: +31 (0)773 240 235 |
| | Denmark & Finland | +32 (0)87 305 565 | +49 24 08 929 568 |
| | Eastern Europe, Turkey & Iran | +32 (0)87 305 061 | +32 (0)87 305 506 |
| | France, Greece, Maghreb | +33 (0)478 668 570 | +33 (0)478 668 571 |
| | Deutschland, Österreich, Schweiz | +49 (0)6109 6059 0 | +49 (0)6109 6059 40 |
| | Italia | +39 02 961 78 1 | +39 02 961 78 888 |
| | Middle East & Africa | +97 148 832 828 | +97 148 832 848 |
| | Poland | +48 (0)22 458 9205 | +48 (0)22 458 9255 |
| | Russia & Cis | +7 495 981 9811 | +7 495 981 9816 |
| | España & Portugal | +34 93 4 123 752 | +34 93 4 124 215 |
| Sweden & Norway | +32 (0)87 305 565 | +49 24 08 929 568 | |
| UK & Ireland | +44 (0)1 189 838 000 | +44 (0)1 189 838 001 | |